



n e x u sTM
COLLECTION



Introduction

Blue Power group, having its brand recognition as “nexus collection”, is one of the leading brand office furniture manufacturers. Our group were established in year 1995 with our production plant based in Sungai Buloh.

Our company philosophy is to constantly design, R&D and produce innovative office furniture to satisfy customers’ current and future needs.

Company Profile

Blue Power group has begun as a small office seating company back in year 1995. With significant growth in our customers’ network, our company has transformed into one of the leading brand of office furniture in Malaysia, serving the local government departments, universities & colleges as well as established corporate companies.

With our high and stringent product quality standards, our business have later expanded into the export market in 1997 despite our years in market, and today we have exported our products to the Asia Pacific regions, as well as the Europe market, with multi-million dollar sales turnover every year.

In today’s world, we understand that users are looking at more than just a work environment that we have to look ahead of just manufacturing quality office furniture, in order to strike competitiveness advantage.

In view of the importance of understanding the current and future work environment needs, and the specific needs which differs from each and individual client, merely based on its nature of business or working environment, our company has spare lots in the Research & Development and technology, as our core strengths to constantly create, design and bring into production, versatile and innovative products to anticipate current and future needs, in satisfying customers in terms of design excellent and more conducive workplace.

At the meantime, we also conduct continuous research & development to look for raw materials improvement and substitution, in achieving excellent product quality control and constant raw material supplies which subsequently bring about higher productivity, flexibility and cost effectiveness.

Awards & Achievements



Group of Companies

BLUE POWER OFFICE SYSTEM SDN BHD | NEXUS OFFICE SYSTEM SDN BHD

Address & Contacts:-

AL-184 A&F, Lot 594, Jalan Industri,
Kampung Baru Sungai Buloh, 47000 Sungai Buloh,
Selangor D.E., Malaysia.

Tel : +603 6157 9978

Fax : +603 6157 0692

Website : www.nexuscollection.com



nexusTM

COLLECTION

Table of Contents

Nexus Office Chair Product

REPLY	Page 03
SIDIZ	Page 07
MOSES	Page 11
IDEAS	Page 15
LOIUS	Page 17
INCLUDE	Page 19
MESH2	Page 21
ERGO	Page 23
BYRON	Page 25
KARISMA	Page 27
ARONA	Page 29
VENISE	Page 31
MORRIS	Page 33
BRABUSS	Page 35
PEGASO	Page 37
ZYTKO	Page 39
PRIMA	Page 41
SEDAN	Page 43
KLAIR	Page 45
SERIES	Page 47

Nexus Settee Product

Kimbery	Page 49
CAMELIA	Page 51
COUCH	Page 53
ZITA	Page 55
LINO	Page 57
BARDI	Page 59
ALPHA	Page 61
MIDA	Page 63
FLOW LOUNGE	Page 65
RANGE	Page 67
RECEPT	Page 69
CENTRUM	Page 71

Optional Features



1. **ALUMINIUM HIGH BASE CODE: AB 10**
5 pronged die-cast aluminium polished base with 60mm castors that are sturdy, long lasting and completely mobile.
2. **ADJUSTABLE ARMREST (Chrome) CODE: D 50**
Adjustable armrest in multi-locking position with chrome finish and top slider PU pad.
3. **HEADREST**
Dynamic positioning and height adjustable functions allow for comfortability of individual headrest position.
4. **ROTARY SYNCHRONIZED MECHANISM**
Rotary mechanism designed for seat height adjustment, position locking & revolving tension control.
5. **LUMBAR SUPPORT**
Adjustable lumbar support levels to ensure better seating posture and back support.



RP 510L-10D50



RP 511L-10D50

Height	1210mm x 1290mm	1020mm x 1100mm
Width	500mm x 680mm	500mm x 680mm
Depth	470mm	470mm



Finishes represent your prestige

REPLY generated from the harmonious finish details of the top-graded Italian genuine leather, and the polished aluminium parts captivates your first impression. Feel the softness of the genuine fine leather applied on the headrest, backrest, armrests, and seating area. The metallic element of polished aluminium parts gives more self-confidence on your status beyond physical sturdiness. The high finish touches of REPLY represent your high prestige on a chair that is more than the chair.



Leather finish

For more elegant look, an option of Italian natural leather finish on the seating and backrest is available. For design consistency in the finish material, this option specifies also the same natural leather finishes on the armrest and the headrest.



Polished aluminium parts

Die-casted aluminium parts with polished finish not only make REPLY sturdier but also add up a more elegant and exclusive look.



Ergonomic S-line

The beautifully-shaped well proportioned backrest created with a design motive from the human's well proportioned build also contributes to further ergonomic comfort and stability in your back.

Specification



Headrest

The two-pivoted headrest allows precise adjustments of the angle and the height, giving comfort and support to neck and head at any seating position. (Pic 1)

Adjustable Armrest with Polyurethane Armpad

Adjustable armrest designed to allow height adjustment to firmly support elbows and eliminate stress for extended hours of work; while the polyurethane armpad is soft and designed with depth and pivot adjustable mechanism allow top slider to rotate in multi-angle to enhance support with best comfort. (Pic 2, 3, 4)

Aluminium Base

5 pronged die-cast aluminium polished base, generates by highly sophisticated ambience to provide strong stability. (Pic 5)

Polyurethane Castors

Sturdy 60mm polyurethane dual-wheel castors are designed for smooth gliding with safety feature, enable user to swivel in any directions in a perfect balanced-environment, and also reduce floor scratches and chair noise while moving. (Pic 6)

Seat Depth Adjustment / Slider Mechanism

The seat can be slide forward or backward effortlessly simply by pulling the lever located under the seat, to achieve the desired seat depth for individual user to obtain best seating posture with maximum comfort. (Pic 7)

Seat Slope Adjustment / Forward Tilting Mechanism

The seat can be adjusted by slanting forward simply by pulling the half-circle lever located under the seat, to obtain desired posture which minimizes pressures on the spine disks during intensive paperwork on desk. (Pic 8)

Lumbar Support

Artfully designed moulded polypropylene backrest can be arched to create an excellent supporting for the lumbar and disperse overall pressure on the spine disks, allows for ergonomic comfort and stability. (Pic 9, 10, 11)

Polished Aluminium Arm Frames and Base

A highly sophisticated and beautifully crafted die-casted aluminium base with polished aluminium finishing arm frames attached to the chair provides strength, durability and sturdiness, besides luxurious. (Pic 12)

Replaceable Seat Cushion

Revolutionary replaceable seat cushion allows ease of exchange and replace of seat cushion, simply by detaching the fringes located

under both rear corners of the seat from the seating plate panel. It is an additional feature for green marketing with its recyclable materials besides providing wider choice of colors selection for the seat cover. (Pic 13)

Tilting Mechanism

Rotary Synchronized Mechanism provides with seat height adjustment mechanism where user can adjust the height of the seat depending on the user height to achieve best comfort position, multi-position locking and revolving tension control function. (Pic 14)

Synchronized Tilting

The seat plate and backrest tilt independently in response to the body sitting motion, giving full support and maximize comfort. (Pic 15)

Height Adjustable Pneumatic Cylinder

Imported heavy duty pneumatic cylinder designed with safety and durability features, allows for height adjustment of the chair to suit each users physique. (Pic 16)

Polyurethane Moulded Foam

High density polyurethane moulded foam come with fire retardant feature, gives the seat flexibility to conform user seating posture, provides great support and best comfort even for long seating hours. The black finish seat cover below is designed for greater protection to the foam, quality upholstery and user safety. (Pic 17)





Basic Type And Optional Features

- Adjustable (Height / Pivot) headrest
- Adjustable (Height / Pivot / Depth) Armrests
- Adjustable seat plate (Depth /Slope)
- Height Adjustable pneumatic cylinder
- Polished aluminum armframe and base
- Polyurethane casters
- Synchronized tilting mechanism
- Multi-limited tilting mechanism (Able to set recline angle)
- Dynamic fitting back system

Everyone should have..... how about U?

Everyone should have the benefit of stylish, comfortable seating.
The moment you sit on a REPLY chair, you will know the difference.



Following the human curb with simple S-line

Rectangular frame supports backrest is as simple as body curve. All the adjustable devices with various function is applied with essential in mind. REPLY series move with your body with human understanding functions and design giving you double pleasure.



Adjustable (Height / Pivot) Headrest

Artificial leather finish



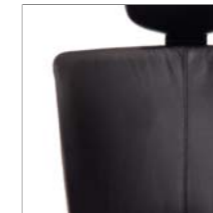
Adjustable (Height / Pivot / Depth) Armrests

Adjustable armrests allow the height and depth adjustment, supporting your shoulders and arm. The arm pads for the adjustable are made of polyurethane offer a special texture



Polished Aluminium

5 pronged die-cast aluminium polished base with 60mm castors that are sturdy, long lasting and completely mobile.



Leather Finish

For a more elegant look of Sidiz, the following parts can be upholstered in artificial leather.

- Headrest / Backrest / Armrests / Seat



Optional Features



- 1. ALUMINIUM HIGH BASE CODE: AB 10**
5 pronged die-cast aluminium polished base with 60mm castors that are sturdy, long lasting and completely mobile.
- 2. ALUMINIUM BASE CODE: AB 13**
5 pronged die cast aluminium polished base with stud.
- 3. ADJUSTABLE ARMREST (Chrome) CODE: AB 50**
Adjustable armrest in multi-locking position with chrome finish and top slider PU pad.
- 4. HEADREST**
Dynamic positioning and height adjustable functions allow for comfortability of individual headrest position.
- 5. ROTARY SYNCHRONIZED MECHANISM**
Rotary mechanism designed for seat height adjustment, position locking & revolving tension control.
- 6. LUMBAR SUPPORT**
Adjustable lumbar support levels to ensure better seating posture and back support.



SD 500L-10D50

Height 1210mm x 1290mm
Width 500mm x 680mm
Depth 470mm



SD 501L-10D50

1020mm x 1100mm
500mm x 680mm
470mm



SD 503L-10EA

920mm x 1020mm
490mm x 620mm
470mm



SD 500F-10D50

Height 1210mm x 1290mm
Width 500mm x 680mm
Depth 470mm



SD 501F-10D50

1020mm x 1100mm
500mm x 680mm
470mm



SD 503F-10EA

920mm x 1020mm
490mm x 620mm
470mm



The Well-proportionate build, casting a spell on your space

The silhouette from the headrest through the backrest to the bottom of the tilt pictures the most beautiful line, the human body line of the back. This slim and slender line from the elegant harmony of inspiring shape and translucent material opens up a new perspective of your space by casting a spell of design, which generates vivid contrast between the outline-driven space and SIDIZ.



Polyurethane Mesh

Higher durability of polyurethane fabric mesh with additional softness prevents your back from perspiring by effectively releasing the body heat while seated.



Lumbar Support

To give additional and more effective support to the lumbar area SIDIZ provides option of the lumbar support with two-way adjustments of height and depth.



Adjustable Seat Plate

On the seating, SIDIZ has an optional feature of the depth adjustment fitting your thigh size along with the forward tilting supporting the horseback riding posture. This option also comes with a revolutionary replaceable cover seat, which keeps your seating always well-maintained and widens your color choices.

Specification



Headrest

The two-pivoted headrest allows precise adjustments of the angle and the height, giving comfort and support to neck and head at any seating position. **(Pic 1)**

Adjustable Armrest with Polyurethane Armpad

Adjustable armrest designed to allow height adjustment to firmly support elbows and eliminate stress for extended hours of work; while the polyurethane armpad is soft and designed with depth and pivot adjustable mechanism allow top slider to rotate in multi-angle to enhance support with best comfort. **(Pic 2, 3, 4)**

Aluminium Base

5 pronged die-cast aluminium polished base, generates by highly sophisticated ambience to provide strong stability. **(Pic 5)**

Automatic Returning Pneumatic Cylinder

Without height adjustable is also available upon request. Suitable for meeting or discussion area. **(Pic 6)**

Polyurethane Castors

Sturdy 60mm polyurethane dual-wheel castors are designed for smooth gliding with safety feature, enable user to swivel in any directions in a perfect balanced-environment, and also reduce floor scratches and chair noise while moving. **(Pic 7)**

Seat Depth Adjustment / Slider Mechanism

The seat can be slide forward or backward effortlessly simply by pulling the lever located under the seat, to achieve the desired seat depth for individual user to obtain best seating posture with maximum comfort. **(Pic 8)**

Seat Slope Adjustment / Forward Tilting Mechanism

The seat can be adjusted by slanting forward simply by pulling the half-circle lever located under the seat, to obtain desired posture which minimizes pressures on the spine disks during intensive paperwork on desk. **(Pic 9)**

Lumbar Support

Artfully designed moulded polypropylene backrest can be arched to create an excellent supporting for the lumbar and disperse overall pressure on the spine disks, allows for ergonomic comfort and stability. **(Pic 10)**

Polished Aluminium Arm Frames and Base

A highly sophisticated and beautifully crafted die-casted aluminium base with polished aluminium finishing arm frames attached to the chair provides strength, durability and sturdiness, besides luxurious. **(Pic 11)**

Replaceable Seat Cushion

Revolutionary replaceable seat cushion allows ease of exchange and replace of seat cushion, simply by detaching the fringes located under both rear corners of the seat from the seating plate panel. It is an additional feature for green marketing with its recyclable materials besides providing wider choice of colors selection for the seat cover. **(Pic 12)**

5-Step Tilting Angle Limiter

More advanced than tilting angle locker, this 5 step multi limiter helps you control over your maximum levels of tilting angles depending on your preferred working postures. **(Pic 13)**

Tilting Mechanism

Rotary Synchronized Mechanism provides with seat height adjustment mechanism where user can adjust the height of the seat depending on the user height to achieve best comfort position, multi-position locking and revolving tension control function. **(Pic 14)**

Synchronized Tilting

The seat plate and backrest tilt independently in response to the body sitting motion, giving full support and maximize comfort. **(Pic 15)**

Height Adjustable Pneumatic Cylinder

Imported heavy duty pneumatic cylinder designed with safety and durability features, allows for height adjustment of the chair to suit each users physique. **(Pic 16)**

Polyurethane Moulded Foam

High density polyurethane moulded foam come with fire retardant feature, gives the seat flexibility to conform user seating posture, provides great support and best comfort even for long seating hours. The black finish seat cover below is designed for greater protection to the foam, quality upholstery and user safety. **(Pic 17)**



Basic Type And Optional Features

- Adjustable (Height / Pivot) headrest
- Adjustable (Height / Pivot / Depth) Armrests
- Adjustable seat plate (Depth /Slope)
- Height Adjustable pneumatic cylinder
- Polished aluminum armframe and base
- Polyurethane casters
- Synchronized tilting mechanism
- Multi-limited tilting mechanism (Able to set recline angle)
- Replaceable seat cover

Everyone should have..... how about U?

Everyone should have the benefit of stylish,
comfortable seating.
The moment you sit on a SIDIZ chair, you
will know the difference.



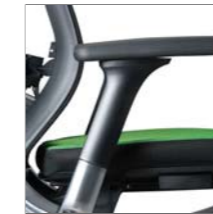
The well-proportional build, casting a spell on your space

The silhouette from the neckrest through the backrest to bottom of the tilt pictures the most beautiful line in the world, the human body line of back. This slim and slender line from the elegant harmony of inspiring shape and translucent material open up a new perspective of your space by casting a spell of design, which generates vivid contrast between the outline-driven space and SIDIZ.



Adjustable (Height / Pivot) Headrest

Artificial leather finish



Adjustable (Height / Pivot / Depth) Armrests

Ajustable armrests allow the height and depth adjustment, supporting your shoulders and arm. The armrest pads for the adjustable are made of polyurethane and offer a special texture.



Polished Aluminium

5 pronged die-cast aluminium polished base with 60mm castors that are sturdy, long lasting and completely mobile.



Lumbar Support

Artfully designed moulded polypropylene backrest can be arched to create an excellent supporting for the lumbar and disperse overall pressure on the spine disks, allowing for ergonomic comfort and stability.



Optional Features



1. **NYLON HIGH BASE CODE: NB 20**
5 pedestal high legged black finish nylon base with sturdy 60mm dual-wheel polyurethane castors.
2. **ALUMINIUM HIGH BASE CODE: AB 10**
5 pronged die-cast aluminium polished base with sturdy 60mm dual-wheel polyurethane castors.
3. **ADJUSTABLE ARMREST (Chrome) CODE: D 47**
Adjustable armrest in chrome finish allows multi-locking position and pivot top PU pad.
4. **ROTARY SYNCHRONIZED MECHANISM CODE: MH 008**
Rotary Synchronized Mechanism designed for seat height adjustment, multi-position locking and revolving tension control.



MS 610L-10D47

Height 1170mm x 1250mm
Width 500mm x 650mm
Depth 510mm



MS 611L-10D47

980mm x 1060mm
500mm x 650mm
510mm



MS 613L-83C

970mm
500mm x 580mm
490mm



MS 610N-20D47

Height 1170mm x 1250mm
Width 500mm x 650mm
Depth 510mm



MS 611N-20D47

980mm x 1060mm
500mm x 650mm
510mm



MS 613N-83E

970mm
500mm x 580mm
490mm



The freedom your whole body enjoy

The best ergonomics in chair means you are not aware of being seated while on the chair. chair features making this possible with highly sophisticated adjustability and functionalities should free you of what disrupts your full immersion in the life. Having all of these features along with easy handlings, Moses high performances promise the freedom your whole body enjoys at the moment of synchronizing yourself with the chair.



Chair with high-performance

The most advanced synchronized tilting mechanism realizes the ergonomic ideal of chair synchronizing with your body in motion. Maximum adjustability with easy handlings of the smartly designed levers completes the highest performance of MOSES.



Italian genuine leather finish

You may feel further delicacy on the surfaces from the genuine fine leather on the backrest, headrest and the seating area.



Mesh backrest

The mesh backrest curbs to any direction. And have perspiration on your back by effectively releasing concentrated heat from your body while seated. the structural tension from the stretched fabric mesh also give MOSES another ergonomic feature of supporting your body in its postures during work.

Specification



Headrest

The two-pivoted headrest allows precise adjustments of the angle and the height, where user can loosen the two knobs at the backside of the headrest to move the headrest up and down or backward and forth to the desired position, and tighten the knobs to support neck and shoulder comfortably in any seating position. **(Pic. 1 / 2 / 3)**

Adjustable Armrest with Polyurethane Armpad

Adjustable armrest with chrome finish, a compactly designed armrest allowing height adjustment to firmly support elbows and eliminate stress for extended hours of work; while the polyurethane armpad is soft and designed with pivot adjustable mechanism allow top slider to rotate in multi-angle to enhance support with best comfort. **(Pic. 4 / 5)**

Nylon High Base

5 pedestal high legged black finish nylon base, generates by highly sophisticated ambience to provide strong stability. **(Pic. 6)**

Aluminium Base

5 pronged die-cast aluminium polished base, generates by highly sophisticated ambience to provide strong stability. **(Pic. 7)**

Polyurethane Castors

Sturdy 60mm polyurethane dual-wheel castors are designed for smooth gliding with safety feature, enable user to swivel in any directions in a perfect balanced-environment, and also reduce floor scratches and chair noise while moving. **(Pic. 8)**

Leather / Mesh Backrest

Italian genuine leather finish, You may feel further delicacy on the surfaces from the genuine fine leather on the backrest, headrest and the seating area. **(Pic. 9)**

High fibre composition with high abrasion strength polyester mesh offers the pleasant feel of mesh along with firmer durability and higher elasticity, allows user with body-fitting comfort, releasing heat and moisture where the flow of air between user back achieving an ideal thermal control, ensuring user with utmost pleasant feel even prolonged seating hours. **(Pic. 10)**

Adjustable Backrest with Lumbar Support

Sophisticated well-designed moulded polypropylene frame backrest with height adjustable mechanism, along with soft and cushiony lumbar support is designed to provide excellent back supports while relieving fatigue even for prolonged seating hours. **(Pic. 11 / 12 / 13)**

Tilting Mechanism

Rotary Synchronized Mechanism from Cofemo Italy, provides with seat height adjustment mechanism where user can adjust the height of the seat depending on the user height to achieve best comfort position, multi-position locking and revolving tension control function, preferred working postures, making every seating position a perfect balanced environment. **(Pic. 14)**

Synchronized Tilting

The seat plate and backrest tilt independently in response to the body sitting motion. giving full support and maximize comfort. **(Pic. 15)**

Height Adjustable Pneumatic Cylinder

Imported heavy duty pneumatic cylinder designed with safety and durability features, allows for height adjustment of the chair to suit each users physique. **(Pic. 16)**

Polyurethane Moulded Foam

High density polyurethane moulded foam come with fire retardant feature, gives the seat flexibility to conform user seating posture, provides great support and best comfort even for long seating hours. The black finish seat cover below is designed for greater protection to the foam, quality upholstery and user safety. **(Pic. 17)**

✓ After Sale Service
✓ Standard Warranty

Basic Type And Optional Features

- Adjustable Armrest (Chrome)
- Rotary Synchronized Mechanism
- Cushiony Lumbar Support
- Nylon High Base
- Aluminium High Base
- Two-pivot Adjustable Neckrest / Headrest

Sophistication Has A New Name...

Experience a different kind of elegance altogether with the Moses.
Be touched by its unrivalled sophistication, and yield to its stylish demeanor.



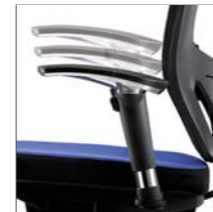
Following the human curb

Rectangular frame supports backrest is as simple as body curve. All the adjustable devices with various function is applied with essential in mind. Moses series move with your body with human understanding functions and design giving you double pleasure.



Headrest

Dynamic positioning and height adjustable functions allow for comfortability of individual headrest position.



Adjustable Armrest (Chrome)

Adjustable armrest in multi-locking position with chrome finish and pivot top PU pad.



Aluminium High Base

5 pronged die-cast aluminium polished base with 60mm castors that are sturdy, long lasting and completely mobile.



Rotary Synchronized Mechanism

Rotary mechanism from Cofemo Italy designed for seat height adjustment, position locking & revolving tension control.



Optional Features



1. **POLYPROPYLENE BASE CODE: PB 30**
5 pronged polypropylene base with twin-wheel nylon castors.
2. **NYLON HIGH BASE CODE: NB 20**
5 pedestal high legged black finish nylon base with sturdy 60mm dual-wheel polyurethane castors.
3. **ALUMINIUM HIGH BASE CODE: AB 10**
5 pronged die-cast aluminium polished base with sturdy 60mm dual-wheel polyurethane castors.
4. **V[®] ARMREST CODE: A 62**
Design matched moulded polypropylene fixed armrest in black finish.
5. **ADJUSTABLE ARMREST (Chrome) CODE: D 42**
Adjustable armrest in chrome finish allows multi-locking position and pivot top PU pad.
6. **KNEE TILT MECHANISM CODE: MH 108**
Swivel Knee Tilt Mechanism with multi-locking system.



IS 630L-10D42

Height 1260mm x 1340mm
Width 490mm x 720mm
Depth 500mm



IS 631L-10D42

1020mm x 1100mm
490mm x 720mm
500mm



IS 633L-92CA62

980mm
490mm x 590mm
500mm



IS 633L-92C

980mm
490mm
500mm



IS 630N-20A62

Height 1260mm x 1340mm
Width 490mm x 590mm
Depth 500mm



IS 631N-20A62

1020mm x 1100mm
490mm x 590mm
500mm



IS 633N-92EA62

980mm
490mm x 590mm
500mm



IS 633N-92E

980mm
490mm
500mm



nexus[™]
COLLECTION





Cool Composition

Product-focused aesthetics-driven and ergonomically contoured backrest gives you maximum ventilation and dynamic back support.



Specification



Headrest

The two-pivoted headrest allows precise adjustments of the angle and the height, where user can loosen the two knobs at the backside of the headrest to move the headrest up and down or backward and forth to the desired position, and tighten the knobs to support neck and shoulder comfortably in any seating position. **(Pic. 1 / 2 / 3 / 4)**

Fixed Armrest

V-shape design matched moulded polypropylene armrest in black finish. **(Pic. 5)**

Adjustable Armrest with Polyurethane Armpad

Adjustable armrest with chrome finish, a compactly designed armrest allowing height adjustment to firmly support elbows and eliminate stress for extended hours of work; while the polyurethane armpad is soft and designed with pivot adjustable mechanism allow top slider to rotate in multi-angle to enhance support with best comfort. **(Pic. 6 / 7)**

Nylon High Base

5 pedestal high legged black finish nylon base, generates by highly sophisticated ambience to provide strong stability. **(Pic. 8)**

Aluminium Base

5 pronged die-cast aluminium polished base, generates by highly sophisticated ambience to provide strong stability. **(Pic. 9)**

Polyurethane Castors

Sturdy 60mm polyurethane dual-wheel castors are designed for smooth gliding with safety feature, enable user to swivel in any directions in a perfect balanced-environment, and also reduce floor scratches and chair noise while moving. **(Pic. 9)**

Tilting Mechanism

Swivel knee tilt mechanism with multi tilting lock system and tilt at 30° reclining position, allows tilting of backrest and seating in same angle, also allows angle locker to help user to control over tilting angles for desired working postures. **(Pic. 11)**

Height Adjustable Pneumatic Cylinder

Imported heavy duty pneumatic cylinder designed with safety and durability features, allows for height adjustment of the chair to suit each users physique. **(Pic. 12)**

Polyurethane Moulded Foam

High density polyurethane moulded foam come with fire retardant feature, gives the seat flexibility to conform user seating posture, provides great support and best comfort even for long seating hours. The black finish seat cover below is designed for greater protection to the foam, quality upholstery and user safety. **(Pic. 13)**

Optional Features



1. **POLYPROPYLENE BASE CODE: PB 30**
5 pronged polypropylene base with dual-wheels nylon castors.
2. **NYLON HIGH BASE CODE: NB 20**
5 pedestal high legged black finish nylon base with sturdy 60mm dual-wheel polyurethane castors.
3. **ALUMINIUM HIGH BASE CODE: AB 10**
5 pronged die-cast aluminium polished base with sturdy 60mm dual-wheel polyurethane castors.
4. **J' ARMREST CODE: A 60**
Design matched moulded polypropylene fixed armrest in black finish.
5. **D' ARMREST CODE: A 63**
Design matched moulded polypropylene fixed armrest in black finish.
6. **Chrome Armrest CODE: D 45**
Adjustable armrest in multi-locking position with chrome finish and top PU pad.
7. **CONVENTIONAL METAL SYNCHRONIZED MECHANISM CODE: MH 011**
Swivel metal synchronized mechanism with one locking system.
8. **POINT SYNCHRONIZED MECHANISM CODE: MH 009**
Point synchronized technology with multi-locking mechanism.



LS 622N-16D45

Height 950mm x 1030mm
Width 480mm x 560mm
Depth 500mm



LS 623N-83C

960mm
480mm x 580mm
500mm



LS 624N-92CA63

980mm
480mm x 590mm
500mm



LS 624N-92C

960mm
480mm
500mm



LS 622N-30A63

Height 920mm x 1010mm
Width 480mm x 590mm
Depth 500mm



LS 623N-83E

980mm
480mm x 580mm
500mm



LS 624N-92EA63

960mm
480mm x 590mm
500mm



LS 624N-92E

960mm
480mm
500mm



nexusTM
COLLECTION





Unleash The Luxury Within

Ergonomic and yet classy, nothing comes close to the high quality infused in the Louis. Its creation is truly a gift to humankind.



Specification



Fixed Armrest

J-shape design matched moulded polypropylene armrest in black finish. **(Pic. 1)**

D-shape design matched moulded polypropylene armrest in black finish. **(Pic. 2)**

Adjustable Armrest with Polyurethane Armpad

Adjustable armrest with chrome finish, a compactly designed armrest allowing height adjustment to firmly support elbows and eliminate stress for extended hours of work; while the polyurethane armpad is soft and designed. **(Pic. 3)**

Nylon High Base

5 pedestal high legged black finish nylon base, generates by highly sophisticated ambience to provide strong stability. **(Pic. 4)**

Aluminium Base

5 pronged die-cast aluminium polished base, generates by highly sophisticated ambience to provide strong stability. **(Pic. 5)**

Polyurethane Castors

Sturdy 60mm polyurethane dual-wheel castors are designed for smooth gliding with safety feature, enable user to swivel in any directions in a perfect balanced-environment, and also reduce floor scratches and chair noise while moving. **(Pic. 6)**

Lumbar Support

Artfully designed moulded polypropylene frame, along with horizontal polypropylene lumbar support can effectively supports and disperses overall pressure in the back to relief fatigue, by adjusting the height of the lumbar support on the backside of the chair with up-down motion to the supporting point or desired position. **(Pic. 7)**

Tilting Mechanism

Swivel metal synchronized mechanism with one locking system at the seat right posture and tilt at 25° reclining position, allows separate tilting of backrest and seating in different angles, ease user movement for different postures. **(Pic. 8)**

Point synchronized technology with multi-locking mechanism, not only allows separate tilting of backrest and seating in different angles, but more advance with multi angle locker helps user to control over maximum levels of tilting angles depending on preferred working postures, making every seating position a perfect balanced environment. **(Pic. 9)**

Height Adjustable Pneumatic Cylinder

Imported heavy duty pneumatic cylinder designed with safety and durability features, allows for height adjustment of the chair to suit each users physique. **(Pic. 10)**

Polyurethane Moulded Foam

High density polyurethane moulded foam come with fire retardant feature, gives the seat flexibility to conform user seating posture, provides great support and best comfort even for long seating hours. The black finish seat cover below is designed for greater protection to the foam, quality upholstery and user safety. **(Pic. 11)**

Optional Features



1. **POLYPROPYLENE BASE CODE: PB 30**
5 pronged polypropylene base with twin-wheel nylon castors.
2. **NYLON HIGH BASE CODE: NB 20**
5 pedestal high legged black finish nylon base with sturdy 60mm dual-wheel polyurethane castors.
3. **ALUMINIUM HIGH BASE CODE: AB 10**
5 pronged die-cast aluminium polished base with sturdy 60mm dual-wheel polyurethane castors.
4. **D' ARMREST CODE: A 63**
Design matched moulded polypropylene fixed armrest in black finish.
5. **ADJUSTABLE ARMREST (Chrome) CODE: D 47**
Adjustable armrest in chrome finish allows multi-locking position and pivot top PU pad.
6. **POINT SYNCHRONIZED MECHANISM CODE: MH 002**
Point synchronized technology with multi-locking mechanism.



ID 390L-10D47

Height 1190mm x 1270mm
Width 510mm x 620mm
Depth 500mm



ID 391L-10D47

Height 1020mm x 1100mm
Width 510mm x 620mm
Depth 500mm



ID 392L-10D47

Height 930mm x 1010mm
Width 510mm x 620mm
Depth 500mm



ID 393L-83C

Height 950mm
Width 510mm x 560mm
Depth 500mm



ID 390N-20A63

Height 1190mm x 1270mm
Width 510mm x 670mm
Depth 500mm



ID 391N-20A63

Height 1020mm x 1100mm
Width 510mm x 670mm
Depth 500mm



ID 392N-20A63

Height 930mm x 1010mm
Width 510mm x 670mm
Depth 500mm



ID 393N-83E

Height 950mm
Width 510mm x 560mm
Depth 500mm





The ultimate pleasure

Let your body and heart relish the charms. The collection offers you body-fitting comfort and unique design just like tailor-made suit. The simple profile curves and crisp rectangle frame are essential in creating bright and modern spaces.

Specification



Fixed Armrest

D-shape design matched moulded polypropylene armrest in black finish. **(Pic. 1)**

Adjustable Armrest with Polyurethane Armpad

Adjustable armrest with chrome finish, a compactly designed armrest allowing height adjustment to firmly support elbows and eliminate stress for extended hours of work; while the polyurethane armpad is soft and designed with pivot adjustable mechanism allow top slider to rotate in multi-angle to enhance support with best comfort. **(Pic. 2 / 3)**

Nylon High Base

5 pedestal high legged black finish nylon base, generates by highly sophisticated ambience to provide strong stability. **(Pic. 4)**

Aluminium Base

5 pronged die-cast aluminium polished base, generates by highly sophisticated ambience to provide strong stability. **(Pic. 5)**

Polyurethane Castors

Sturdy 60mm polyurethane dual-wheel castors are designed for smooth gliding with safety feature, enable user to swivel in any directions in a perfect balanced-environment, and also reduce floor scratches and chair noise while moving. **(Pic. 6)**

Fine Stitches

Enhanced quality upholstery and fine stitching workmanship. **(Pic. 7)**

Tilting Mechanism

Point synchronized technology with multi-locking mechanism, not only allows separate tilting of backrest and seating in different angles, but more advance with multi angle locker helps user to control over maximum levels of tilting angles depending on preferred working postures, making every seating position a perfect balanced environment. **(Pic. 8)**

Height Adjustable Pneumatic Cylinder

Imported heavy duty pneumatic cylinder designed with safety and durability features, allows for height adjustment of the chair to suit each users physique. **(Pic. 9)**

Polyurethane Moulded Foam

High density polyurethane moulded foam come with fire retardant feature, gives the seat flexibility to conform user seating posture, provides great support and best comfort even for long seating hours. The black finish seat cover below is designed for greater protection to the foam, quality upholstery and user safety. **(Pic. 10)**

After Sale Service
 Standard Warranty

Optional Features



1. **POLYPROPYLENE BASE CODE: PB 30**
5 pronged polypropylene base with twin-wheel nylon castors.
2. **NYLON HIGH BASE CODE: NB 20**
5 pedestal high legged black finish nylon base with sturdy 60mm dual-wheel polyurethane castors.
3. **ALUMINIUM HIGH BASE CODE: AB 10**
5 pronged die-cast aluminium polished base with sturdy 60mm dual-wheel polyurethane castors.
4. **J' ARMREST CODE: A 60**
Design matched moulded polypropylene fixed armrest in black finish.
5. **ADJUSTABLE ARMREST (Epoxy) CODE: D 48**
Adjustable armrest in multi-locking position with epoxy finish and top PU pad.
6. **ADJUSTABLE ARMREST (Chrome) CODE: D 45**
Adjustable armrest in multi-locking position with chrome finish and top PU pad.
7. **CONVENTIONAL METAL SYNCHRONIZED MECHANISM CODE: MH 011**
Swivel M synchronized mechanism with one locking system.
8. **POINT SYNCHRONIZED MECHANISM CODE: MH 006**
Point synchronized technology with multi-locking mechanism.



MH 370L-10D48 MH 371L-10D48 MH 372L-10D48 MH 373L-83C MH 374L-92C

Height	1180mm x 1260mm	980mm x 1060mm	900mm x 980mm	900mm	900mm
Width	470mm x 610mm	470mm x 610mm	470mm x 610mm	470mm x 580mm	470mm
Depth	470mm	470mm	470mm	470mm	470mm



MH 370N-20A60 MH 371N-20A60 MH 372N-20A60 MH 373N-83E MH 374N-92E

Height	1180mm x 1260mm	980mm x 1060mm	900mm x 980mm	900mm	900mm
Width	470mm x 610mm	470mm x 610mm	470mm x 610mm	470mm x 580mm	470mm
Depth	470mm	470mm	470mm	470mm	470mm





When comfort meets quality

The uniqueness of this collection is truly second to none. Revel in it to cherish it because once you had a taste of its exceptional quality, it will be hard to forget it.



Specification



Headrest

The two-pivoted headrest allows precise adjustments of the angle and the height, where user can loosen the two knobs at the backside of the headrest to move the headrest up and down or backward and forth to the desired position, and tighten the knobs to support neck and shoulder comfortably in any seating position. **(Pic. 1 / 2 / 3)**

Fixed Armrest

J-shape design matched moulded polypropylene armrest in black finish. **(Pic. 4)**

Adjustable Armrest with Polyurethane Armpad

Adjustable armrest with epoxy black finish, a compactly designed armrest allowing height adjustment to firmly support elbows and eliminate stress for extended hours of work; while the polyurethane armpad is soft and designed to enhance support with best comfort. **(Pic. 5)**

Adjustable armrest with chrome finish, a compactly designed armrest allowing height adjustment to firmly support elbows and eliminate stress for extended hours of work; while the polyurethane armpad is soft and designed to enhance support with best comfort. **(Pic. 6)**

Nylon High Base

5 pedestal high legged black finish nylon base, generates by highly sophisticated ambience to provide strong stability. **(Pic. 7)**

Aluminium Base

5 pronged die-cast aluminium polished base, generates by highly sophisticated ambience to provide strong stability. **(Pic. 8)**

Polyurethane Castors

Sturdy 60mm polyurethane dual-wheel castors are designed for smooth gliding with safety feature, enable user to swivel in any directions in a perfect balanced-environment, and also reduce floor scratches and chair noise while moving. **(Pic. 9)**

Tilting Mechanism

Swivel metal synchronized mechanism with one locking system at the seat right posture and tilt at 25° reclining position, allows separate tilting of backrest and seating in different angles, ease user movement for different postures. **(Pic. 10)**

Point synchronized technology with multi-locking mechanism, not only allows separate tilting of backrest and seating in different angles, but more advance with multi angle locker helps user to control over maximum levels of tilting angles depending on preferred working postures, making every seating position a perfect balanced environment. **(Pic. 11)**

Mesh / Leather Backrest

High fibre composition with high abrasion strength polyester mesh offers the pleasant feel of mesh along with firmer durability and higher elasticity, allows user with body-fitting comfort, releasing heat and moisture where the flow of air between user back achieving an ideal thermal control, ensuring user with utmost pleasant feel even prolonged seating hours. **(Pic. 12)**

Italian genuine leather finish, You may feel further delicacy on the surfaces from the genuine fine leather on the backrest, headrest and the seating area. **(Pic. 13)**

Height Adjustable Pneumatic Cylinder

Imported heavy duty pneumatic cylinder designed with safety and durability features, allows for height adjustment of the chair to suit each users physique. **(Pic. 14)**

Polyurethane Moulded Foam

High density polyurethane moulded foam come with fire retardant feature, gives the seat flexibility to conform user seating posture, provides great support and best comfort even for long seating hours. The black finish seat cover below is designed for greater protection to the foam, quality upholstery and user safety. **(Pic. 15)**



Optional Features



- POLYPROPYLENE BASE CODE: PB 30**
5 pronged polypropylene base with dual-wheels nylon castors.
- NYLON HIGH BASE CODE: NB 20**
5 pedestal high legged black finish nylon base with sturdy 60mm dual-wheel polyurethane castors.
- ALUMINIUM HIGH BASE CODE: AB 10**
5 pronged die-cast aluminium polished base with sturdy 60mm dual-wheel polyurethane castors.
- J' ARMREST CODE: A 60**
Design matched moulded polypropylene fixed armrest in black finish.
- D' ARMREST CODE: A 63**
Design matched moulded polypropylene fixed armrest in black finish.
- ADJUSTABLE ARMREST (Chrome) CODE: D 45**
Adjustable armrest in multi-locking position with chrome finish and top PU pad.
- CONVENTIONAL METAL SYNCHRONIZED MECHANISM CODE: MH 011**
Swivel metal synchronized mechanism with one locking system.
- POINT SYNCHRONIZED MECHANISM CODE: MH 006**
Point synchronized technology with multi-locking mechanism.



ER 380L-10D45

Height 1150mm x 1230mm
Width 470mm x 640mm
Depth 470mm



ER 381L-10D45

950mm x 1030mm
470mm x 640mm
470mm



ER 382L-10D45

850mm x 930mm
470mm x 640mm
470mm



ER 383L-83C

900mm
470mm x 580mm
470mm



ER 384L-92C

900mm
470mm
470mm



ER 380F-30A60

Height 1150mm x 1250mm
Width 470mm x 610mm
Depth 470mm



ER 381F-30A60

950mm x 1050mm
470mm x 610mm
470mm



ER 382F-30A60

850mm x 950mm
470mm x 610mm
470mm



ER 383F-83E

900mm
470mm x 580mm
470mm



ER 384F-92E

900mm
470mm
470mm



nexusTM
COLLECTION





Comfort is a great seat

For most, comfort is prioritized about all aspects in life. Realizing this, the Ergo is created to imbue the lifestyles of the discerning few who are content with comfortable seating solutions. Are you one of them?



Specification



Headrest

The two-pivoted headrest allows precise adjustments of the angle and the height, where user can loosen the two knobs at the backside of the headrest to move the headrest up and down or backward and forth to the desired position, and tighten the knobs to support neck and shoulder comfortably in any seating position. **(Pic. 1 / 2 / 3)**

Fixed Armrest

J-shape design matched moulded polypropylene armrest in black finish. **(Pic. 4)**

D-shape design matched moulded polypropylene armrest in black finish. **(Pic. 5)**

Adjustable Armrest with Polyurethane Armpad

Adjustable armrest with chrome finish, a compactly designed armrest allowing height adjustment to firmly support elbows and eliminate stress for extended hours of work; while the polyurethane armpad is soft and designed to enhance support with best comfort. **(Pic. 6)**

Nylon High Base

5 pedestal high legged black finish nylon base, generates by highly sophisticated ambience to provide strong stability. **(Pic. 7)**

Aluminium Base

5 pronged die-cast aluminium polished base, generates by highly sophisticated ambience to provide strong stability. **(Pic. 8)**

Polyurethane Castors

Sturdy 60mm polyurethane dual-wheel castors are designed for smooth gliding with safety feature, enable user to swivel in any directions in a perfect balanced-environment, and also reduce floor scratches and chair noise while moving. **(Pic. 9)**

Tilting Mechanism

Swivel metal synchronized mechanism with one locking system at the seat right posture and tilt at 25° reclining position, allows separate tilting of backrest and seating in different angles, ease user movement for different postures. **(Pic. 10)**

Point synchronized technology with multi-locking mechanism, not only allows separate tilting of backrest and seating in different angles, but more advance with multi angle locker helps user to control over maximum levels of tilting angles depending on preferred working postures, making every seating position a perfect balanced environment. **(Pic. 11)**

Lumbar Support

The lumbar support (lower back support) mechanism is masterfully integrated into the full upholstered chairs. Simply twist the knob located under the chair seat, the lower section of the independent backrest moves forward to allow for dynamic back support when you lean back on the chair. **(Pic. 12)**

Backrest Cover

High quality moulded polypropylene backrest cover, decorated with horizontal strips offer in either black or white finishing, is designed for green environment with its recyclable materials, quality upholstery, while adding elegant to the contours of the backrest. **(Pic. 13 / 14)**

Height Adjustable Pneumatic Cylinder

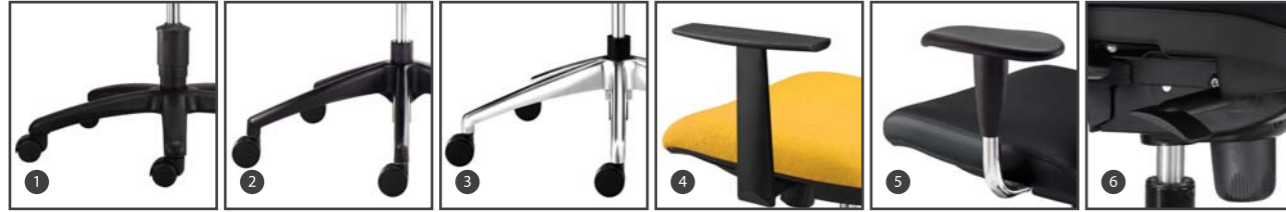
Imported heavy duty pneumatic cylinder designed with safety and durability features, allows for height adjustment of the chair to suit each users physique. **(Pic. 15)**

Polyurethane Moulded Foam

High density polyurethane moulded foam come with fire retardant feature, gives the seat flexibility to conform user seating posture, provides great support and best comfort even for long seating hours. The black finish seat cover below is designed for greater protection to the foam, quality upholstery and user safety. **(Pic. 16)**



Optional Features



- POLYPROPYLENE BASE CODE: PB 30**
5 pronged polypropylene base with dual-wheels nylon castors.
- NYLON HIGH BASE CODE: NB 20**
5 pedestal high legged black finish nylon base with sturdy 60mm dual-wheel polyurethane castors.
- ALUMINIUM HIGH BASE CODE: AB 10**
5 pronged die-cast aluminium polished base with sturdy 60mm dual-wheel polyurethane castors.
- T[™] ARMREST CODE: A 65**
Design matched moulded polypropylene fixed armrest in black finish.
- ADJUSTABLE ARMREST (Chrome) CODE: D 42**
Adjustable armrest in chrome finish allows multi-locking position and pivot top PU pad.
- POINT SYNCHRONIZED MECHANISM CODE: MH 002**
Point synchronized technology with multi-locking mechanism.



BY 330L-10D42

Height 1110mm x 1190mm
Width 480mm x 640mm
Depth 480mm



BY 331L-10D42

Height 1000mm x 1180mm
Width 480mm x 640mm
Depth 480mm



BY 332L-10D42

Height 890mm x 970mm
Width 480mm x 640mm
Depth 480mm



BY 333L-83C

Height 900mm
Width 480mm x 580mm
Depth 480mm



BY 334L-92C

Height 900mm
Width 480mm
Depth 480mm



BY 330F-20A65

Height 1110mm x 1190mm
Width 480mm x 640mm
Depth 480mm



BY 331F-20A65

Height 1000mm x 1180mm
Width 480mm x 640mm
Depth 480mm



BY 332F-20A65

Height 890mm x 970mm
Width 480mm x 640mm
Depth 480mm



BY 333F-83E

Height 900mm
Width 480mm x 580mm
Depth 480mm



BY 334F-92E

Height 900mm
Width 480mm
Depth 480mm





Don't Settle For Anything Less

The Byron collection transcends beyond the norm when it comes to exceptionally created seating solutions. It is conceived to exceed your expectations, and more. Which is why you should not settle for anything less.



Specification



Fixed Armrest

T-shape design matched moulded polypropylene armrest in black finish. **(Pic. 1)**

Adjustable Armrest with Polyurethane Armpad

Adjustable armrest with chrome finish, a compactly designed armrest allowing height adjustment to firmly support elbows and eliminate stress for extended hours of work; while the polyurethane armpad is soft and designed with pivot adjustable mechanism allow top slider to rotate in multi-angle to enhance support with best comfort. **(Pic. 2 / 3)**

Nylon High Base

5 pedestal high legged black finish nylon base, generates by highly sophisticated ambience to provide strong stability. **(Pic. 4)**

Aluminium Base

5 pronged die-cast aluminium polished base, generates by highly sophisticated ambience to provide strong stability. **(Pic. 5)**

Polyurethane Castors

Sturdy 60mm polyurethane dual-wheel castors are designed for smooth gliding with safety feature, enable user to swivel in any directions in a perfect balanced-environment, and also reduce floor scratches and chair noise while moving. **(Pic. 6)**

FINE STITCHES

Strip capping with chrome finish located at the bottom of the chair backrest enhances quality upholstery while adding elegant design to the contours of the backrest. **(Pic. 7)**

Tilting Mechanism

Point synchronized technology with multi-locking mechanism, not only allows separate tilting of backrest and seating in different angles, but more advance with multi angle locker helps user to control over maximum levels of tilting angles depending on preferred working postures, making every seating position a perfect balanced environment. **(Pic. 8)**

Height Adjustable Pneumatic Cylinder

Imported heavy duty pneumatic cylinder designed with safety and durability features, allows for height adjustment of the chair to suit each users physique. **(Pic. 9)**

Polyurethane Moulded Foam

High density polyurethane moulded foam come with fire retardant feature, gives the seat flexibility to conform user seating posture, provides great support and best comfort even for long seating hours. The black finish seat cover below is designed for greater protection to the foam, quality upholstery and user safety. **(Pic. 10)**



Optional Features



- POLYPROPYLENE BASE CODE: PB 30**
5 pronged polypropylene base with dual-wheels nylon castors.
- NYLON HIGH BASE CODE: NB 20**
5 pedestal high legged black finish nylon base with sturdy 60mm dual-wheel polyurethane castors.
- ALUMINIUM HIGH BASE CODE: AB 10**
5 pronged die-cast aluminium polished base with sturdy 60mm dual-wheel polyurethane castors.
- T' ARMREST CODE: A 65**
Design matched moulded polypropylene fixed armrest in black finish.
- D' ARMREST CODE: A 63**
Design matched moulded polypropylene fixed armrest in black finish.
- ADJUSTABLE ARMREST (Chrome) CODE: D 40**
Adjustable armrest in chrome finish allows multi-locking position and pivot top PU pad.
- CONVENTIONAL METAL SYNCHRONIZED MECHANISM CODE: MH 011**
Swivel metal synchronized mechanism with one locking system.



KR 420F-20D40

Height 1110mm x 1190mm
Width 480mm x 620mm
Depth 480mm



KR 421F-20D40

1000mm x 1080mm
480mm x 620mm
480mm



KR 422F-20D40

900mm x 980mm
480mm x 620mm
480mm



KR 420F-30A65

Height 1110mm x 1210mm
Width 480mm x 620mm
Depth 480mm



KR 421F-30A65

1000mm x 1100mm
480mm x 620mm
480mm



KR 422F-30A65

900mm x 1000mm
480mm x 620mm
480mm



KR 423F-83E

960mm
480mm x 580mm
480mm



KR 424F-84E

960mm
480mm x 570mm
480mm



Specification



Fixed Armrest

T-shape design matched moulded polypropylene armrest in black finish. **(Pic. 1)**

D-shape design matched moulded polypropylene armrest in black finish. **(Pic. 2)**

Adjustable Armrest with Polyurethane Armpad **(Pic. 3 / 4)**

Adjustable armrest with chrome finish, a compactly designed armrest allowing height adjustment to firmly support elbows and eliminate stress for extended hours of work; while the polyurethane armpad is soft and designed with pivot adjustable mechanism allow top slider to rotate in multi-angle to enhance support with best comfort.

Nylon High Base

5 pedestal high legged black finish nylon base, generates by highly sophisticated ambience to provide strong stability. **(Pic. 5)**

Aluminium Base

5 pronged die-cast aluminium polished base, generates by highly sophisticated ambience to provide strong stability. **(Pic. 6)**

Polyurethane Castors

Sturdy 60mm polyurethane dual-wheel castors are designed for smooth gliding with safety feature, enable user to swivel in any directions in a perfect balanced-environment, and also reduce floor scratches and chair noise while moving. **(Pic. 7)**

Capping Finishing

Strip capping with Chrome / Black finish located at the bottom of the chair backrest enhances quality upholstery while adding elegant design to the contours of the backrest. **(Pic. 08)**

Tilting Mechanism

Swivel metal synchronized mechanism with one locking system at the seat right posture and tilt at 25° reclining position, allows separate tilting of backrest and seating in different angles, ease user movement for different postures. **(Pic. 09)**

Height Adjustable Pneumatic Cylinder

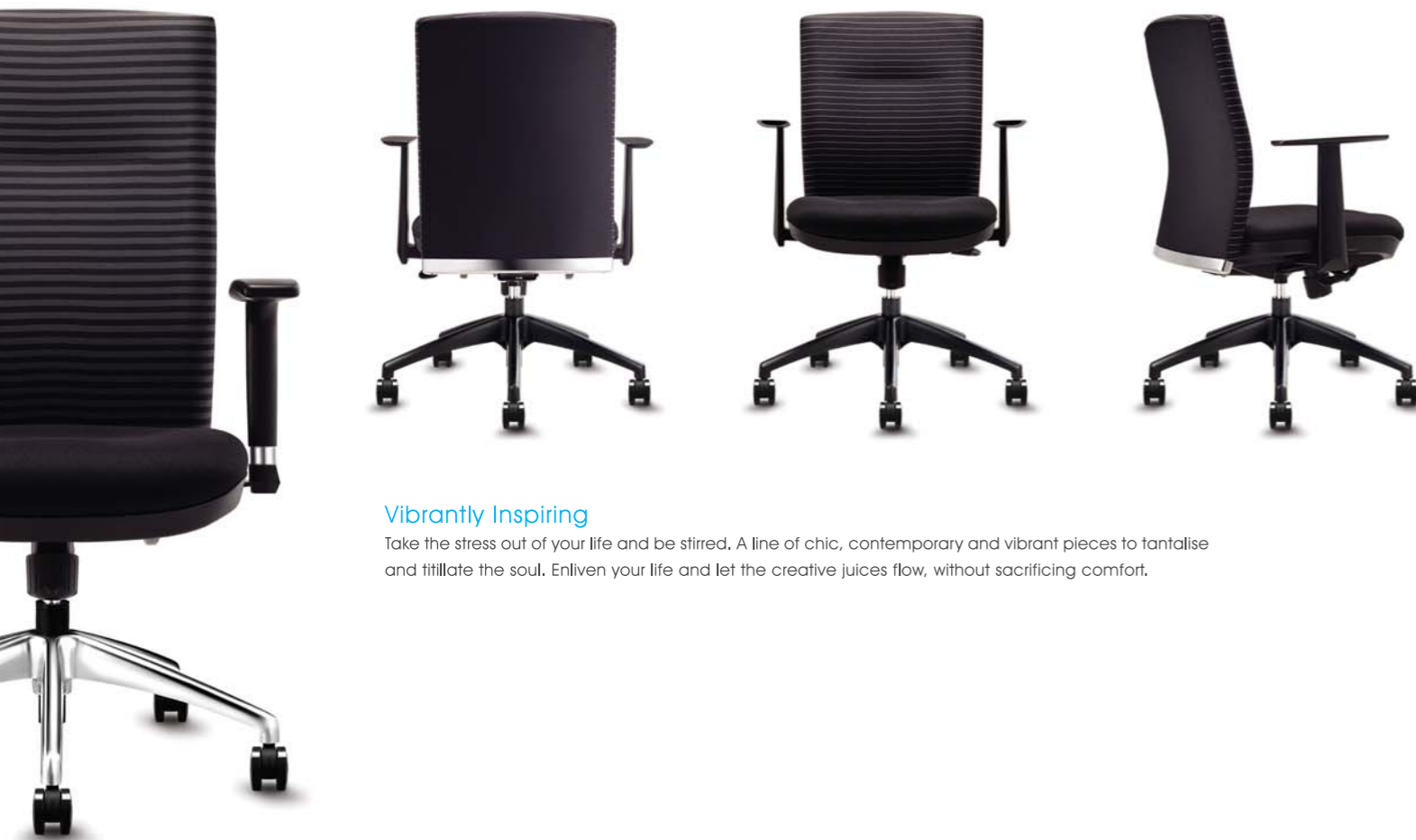
Imported heavy duty pneumatic cylinder designed with safety and durability features, allows for height adjustment of the chair to suit each users physique. **(Pic. 10)**

Polyurethane Moulded Foam

High density polyurethane moulded foam come with fire retardant feature, gives the seat flexibility to conform user seating posture, provides great support and best comfort even for long seating hours. The black finish seat cover below is designed for greater protection to the foam, quality upholstery and user safety. **(Pic. 11)**

Vibrantly Inspiring

Take the stress out of your life and be stirred. A line of chic, contemporary and vibrant pieces to tantalise and titillate the soul. Enliven your life and let the creative juices flow, without sacrificing comfort.



Optional Features



1. **POLYPROPYLENE BASE CODE: PB 30**
5 pronged polypropylene base with dual-wheels nylon castors.
2. **NYLON HIGH BASE CODE: NB 20**
5 pedestal high legged black finish nylon base with sturdy 60mm dual-wheel polyurethane castors.
3. **ALUMINIUM HIGH BASE CODE: AB 10**
5 pronged die-cast aluminium polished base with sturdy 60mm dual-wheel polyurethane castors.
4. **J' ARMREST CODE: A 60**
Design matched moulded polypropylene fixed armrest in black finish.
5. **V' ARMREST CODE: A 62**
Design matched moulded polypropylene fixed armrest in black finish.
6. **CHROME ARMREST CODE: S 56**
Design matched moulded polypropylene fixed armrest in black with chrome finish.
7. **CONVENTIONAL METAL SYNCHRONIZED MECHANISM CODE: MH 011**
Swivel metal synchronized mechanism with one locking system.
8. **POINT SYNCHRONIZED MECHANISM CODE: MH 006**
Point synchronized technology with multi-locking mechanism.



AR 340L-10S56

Height 1110mm x 1190mm
Width 470mm x 590mm
Depth 470mm



AR 341L-10S56

Height 1010mm x 1090mm
Width 470mm x 590mm
Depth 470mm



AR 342L-10S56

Height 910mm x 990mm
Width 470mm x 590mm
Depth 470mm



AR 343L-83C

Height 900mm
Width 470mm x 580mm
Depth 470mm



AR 344L-92C

Height 900mm
Width 470mm
Depth 470mm



AR 340F-30A62

Height 1060mm x 1160mm
Width 470mm x 570mm
Depth 470mm



AR 341F-30A62

Height 960mm x 1060mm
Width 470mm x 570mm
Depth 470mm



AR 342F-30A62

Height 860mm x 960mm
Width 470mm x 570mm
Depth 470mm



AR 343F-83E

Height 900mm
Width 470mm x 580mm
Depth 470mm



AR 344F-92E

Height 900mm
Width 470mm
Depth 470mm



Specification



Not made for the masses

This delectably crafted range of seating solutions was created to cater only for the discerning few who know and demand the true meaning of comfort. Arona is made specially for leaders, not followers.

Fixed Armrest

J-shape design matched moulded polypropylene armrest in black finish. **(Pic. 1)**

V-shape design matched moulded polypropylene armrest in black finish. **(Pic. 2)**

Chrome Armrest design matched moulded polypropylene fixed armrest in black with chrome finish. **(Pic. 3)**

Nylon High Base

5 pedestal high legged black finish nylon base, generates by highly sophisticated ambience to provide strong stability. **(Pic. 4)**

Aluminium Base

5 pronged die-cast aluminium polished base, generates by highly sophisticated ambience to provide strong stability. **(Pic. 05)**

Polyurethane Castors

Sturdy 60mm polyurethane dual-wheel castors are designed for smooth gliding with safety feature, enable user to swivel in any directions in a perfect balanced-environment, and also reduce floor scratches and chair noise while moving. **(Pic. 06)**

Capping Finishing

Strip capping with chrome / black finish located at the bottom of the chair backrest enhances quality upholstery while adding elegant design to the contours of the backrest. **(Pic. 07)**

Tilting Mechanism

Swivel metal synchronized mechanism with one locking system at the seat right posture and tilt at 25° reclining position, allows separate tilting of backrest and seating in different angles, ease user movement for different postures. **(Pic. 08)**

Point synchronized technology with multi-locking mechanism, not only allows separate tilting of backrest and seating in different angles, but more advance with multi angle locker helps user to control over maximum levels of tilting angles depending on preferred working postures, making every seating position a perfect balanced environment. **(Pic. 09)**

Height Adjustable Pneumatic Cylinder

Imported heavy duty pneumatic cylinder designed with safety and durability features, allows for height adjustment of the chair to suit each users physique. **(Pic. 10)**

Polyurethane Moulded Foam

High density polyurethane moulded foam come with fire retardant feature, gives the seat flexibility to conform user seating posture, provides great support and best comfort even for long seating hours. The black finish seat cover below is designed for greater protection to the foam, quality upholstery and user safety. **(Pic. 11)**



Optional Features



- POLYPROPYLENE BASE CODE: PB 30**
5 pronged polypropylene base with dual-wheels nylon castors.
- NYLON HIGH BASE CODE: NB 20**
5 pedestal high legged black finish nylon base with sturdy 60mm dual-wheel polyurethane castors.
- Y ARMREST CODE: A 64**
Design matched moulded polypropylene fixed armrest in black finish.
- ADJUSTABLE ARMREST (Chrome) CODE: D 40**
Adjustable armrest in chrome finish allows multi-locking position and pivot top PU pad.
- CONVENTIONAL METAL SYNCHRONIZED MECHANISM CODE: MH 011**
Swivel metal synchronized mechanism with one locking system.



VN 431F-20D40

Height 970mm x 1050mm
Width 480mm x 630mm
Depth 450mm



VN 432F-20D40

Height 900mm x 980mm
Width 480mm x 630mm
Depth 450mm



VN 431F-30A64

Height 970mm x 1070mm
Width 480mm x 560mm
Depth 450mm



VN 432F-30A64

Height 900mm x 1000mm
Width 480mm x 560mm
Depth 450mm



VN 433F-92EA64

Height 920mm
Width 480mm x 560mm
Depth 450mm



VN 433F-92E

Height 920mm
Width 480mm
Depth 450mm



nexus
COLLECTION™



Inspiration Is But A Seat Away

Where do ideas come from? For some, the most ideas are derived from utter comfort. And unbridled comfort is what the Venise Collection is all about. Be inspired with Venise Collection and see how far your ideas will take you today.



Specification



Fixed Armrest

Y-shape design matched moulded polypropylene armrest in black finish. **(Pic. 1)**

Adjustable Armrest with Polyurethane Armpad

Adjustable armrest with chrome finish, a compactly designed armrest allowing height adjustment to firmly support elbows and eliminate stress for extended hours of work; while the polyurethane armpad is soft and designed with pivot adjustable mechanism allow top slider to rotate in multi-angle to enhance support with best comfort. **(Pic. 2 / 3)**

Nylon High Base

5 pedestal high legged black finish nylon base, generates by highly sophisticated ambience to provide strong stability. **(Pic. 4)**

Polyurethane Castors

Sturdy 60mm polyurethane dual-wheel castors are designed for smooth gliding with safety feature, enable user to swivel in any directions in a perfect balanced-environment, and also reduce floor scratches and chair noise while moving. **(Pic. 5)**

Fine Stitches

Enhanced quality upholstery and fine stitching workmanship. **(Pic. 6)**

Tilting Mechanism

Swivel metal synchronized mechanism with one locking system at the seat right posture and tilt at 25° reclining position, allows separate tilting of backrest and seating in different angles, ease user movement for different postures. **(Pic. 7)**

Height Adjustable Pneumatic Cylinder

Imported heavy duty pneumatic cylinder designed with safety and durability features, allows for height adjustment of the chair to suit each users physique. **(Pic. 8)**

Polyurethane Moulded Foam

High density polyurethane moulded foam come with fire retardant feature, gives the seat flexibility to conform user seating posture, provides great support and best comfort even for long seating hours. The black finish seat cover below is designed for greater protection to the foam, quality upholstery and user safety. **(Pic. 9)**

Optional Features



- 1. ALUMINIUM HIGH BASE CODE: AB 10**
5 pronged die-cast aluminium polished base with sturdy 60mm dual-wheel polyurethane castors.
- 2. TRUMPET CHROME BASE CODE: TB 98**
Well-designed chrome finish polished round plate base completes with height adjustable pneumatic cylinder.
- 3. ROTARY SYNCHRONIZED MECHANISM CODE: MH 008**
Rotary Synchronized Mechanism designed for seat height adjustment, multi-position locking and revolving tension control.



MR 510L-10

Height 1100mm x 1170mm
Width 500mm x 620mm
Depth 500mm



MR 512L-10

Height 940mm x 1010mm
Width 500mm x 620mm
Depth 500mm



MR 513L-92C

Height 970mm
Width 500mm x 620mm
Depth 500mm



MR 510L-98C

Height 1120mm x 1260mm
Width 500mm x 620mm
Depth 500mm



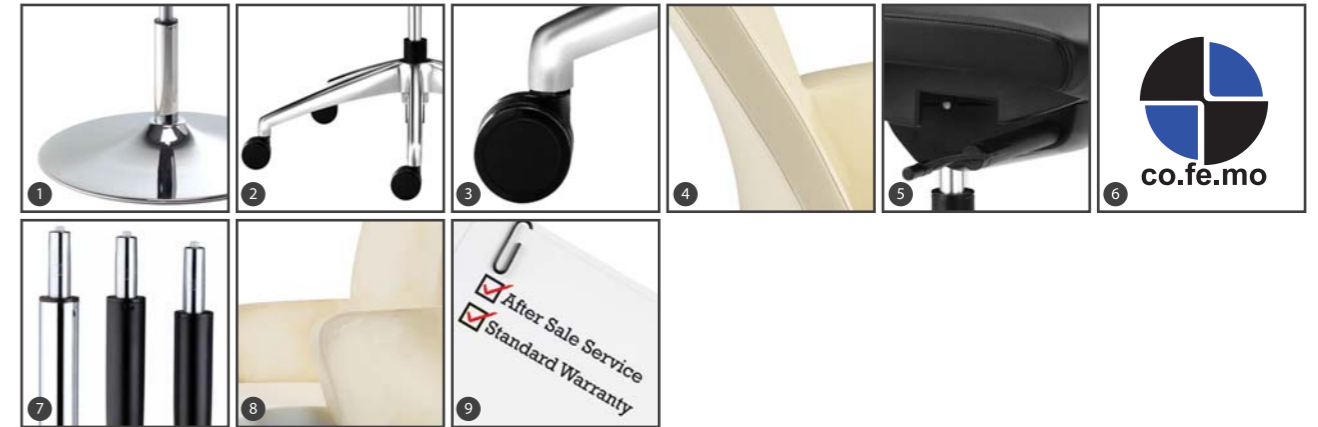
MR 512L-98C

Height 920mm x 1060mm
Width 500mm x 620mm
Depth 500mm





Specification



Trumpet Chrome Base

Well-designed chrome finish polished round plate base completes with height adjustable pneumatic cylinder. **(Pic. 1)**

Aluminium Base

5 pronged die-cast aluminium polished base, generates by highly sophisticated ambience to provide strong stability. **(Pic. 2)**

Polyurethane Castors

Sturdy 60mm polyurethane dual-wheel castors are designed for smooth gliding with safety feature, enable user to swivel in any directions in a perfect balanced-environment, and also reduce floor scratches and chair noise while moving. **(Pic. 3)**

Fine Stitches

Enhanced quality upholstery and fine stitching workmanship. **(Pic. 4)**

Tilting Mechanism

Rotary Synchronized Mechanism from Cofemo Italy, provides with seat height adjustment mechanism where user can adjust the height of the seat depending on the user height to achieve best comfort position, multi-position locking and revolving tension control function. **(Pic. 5 / 6)**

Height Adjustable Pneumatic Cylinder

Imported heavy duty pneumatic cylinder designed with safety and durability features, allows for height adjustment of the chair to suit each users physique. **(Pic. 7)**

Polyurethane Moulded Foam

High density polyurethane moulded foam come with fire retardant feature, gives the backrest and seat flexibility to conform user seating posture, provides great support and best comfort even for long working hours. The black finish seat cover below is designed for greater protection to the foam, quality upholstery and user safety. **(Pic. 8)**

When Comfort & Style Unites

Ergonomic and yet classy, nothing comes close to the high quality infused in the Morriss. Its creation is truly a gift to humankind.

Optional Features



- 1. NYLON HIGH BASE CODE: NB 20**
5 pedestal high legged black finish nylon base with sturdy 60mm dual-wheel polyurethane castors.
- 2. ALUMINIUM HIGH BASE CODE: AB 10**
5 pronged die-cast aluminium polished base with sturdy 60mm dual-wheel polyurethane castors.
- 3. ADJUSTABLE ARMREST (Epoxy) CODE: D 48**
Adjustable armrest in multi-locking position with epoxy finish and top PU pad.
- 4. ADJUSTABLE ARMREST (Chrome) CODE: D 46**
Adjustable armrest in multi-locking position with chrome finish and top PU pad.
- 5. POINT SYNCHRONIZED MECHANISM CODE: MH 002**
Point synchronized technology with multi-locking mechanism.



BR 320L-10D46

Height 1190mm x 1270mm
Width 480mm x 630mm
Depth 480mm



BR 321L-10D46

Height 1090mm x 1170mm
Width 480mm x 630mm
Depth 480mm



BR 322L-10D46

Height 970mm x 1050mm
Width 480mm x 630mm
Depth 480mm



BR 323L-80C

Height 910mm
Width 480mm x 590mm
Depth 480mm



BR 325L-84C

Height 910mm
Width 480mm x 570mm
Depth 480mm



BR 320F-20D48

Height 1190mm x 1270mm
Width 480mm x 630mm
Depth 480mm



BR 321F-20D48

Height 1090mm x 1170mm
Width 480mm x 630mm
Depth 480mm



BR 322F-20D48

Height 970mm x 1050mm
Width 480mm x 630mm
Depth 480mm



BR 323F-80E

Height 910mm
Width 480mm x 590mm
Depth 480mm



BR 325F-84E

Height 910mm
Width 480mm x 570mm
Depth 480mm



Experience Unrivalled Quality

Be enthralled, be at peace, and be at ease as you bask in the modern elegance of the selection of Brabuss seating solutions. Never again will there be a more superior selection.



Specification



Adjustable Armrest with Polyurethane Armpad

Adjustable armrest with epoxy black finish, a compactly designed armrest allowing height adjustment to firmly support elbows and eliminate stress for extended hours of work; while the polyurethane armpad is soft and designed to enhance support with best comfort. **(Pic. 1)**

Adjustable armrest with chrome finish, a compactly designed armrest allowing height adjustment to firmly support elbows and eliminate stress for extended hours of work; while the polyurethane armpad is soft and designed to enhance support with best comfort. **(Pic. 2)**

Nylon High Base

5 pedestal high legged black finish nylon base, generates by highly sophisticated ambience to provide strong stability. **(Pic. 3)**

Aluminium Base

5 pronged die-cast aluminium polished base, generates by highly sophisticated ambience to provide strong stability. **(Pic. 4)**

Polyurethane Castors

Sturdy 60mm polyurethane dual-wheel castors are designed for smooth gliding with safety feature, enable user to swivel in any directions in a perfect balanced-environment, and also reduce floor scratches and chair noise while moving. **(Pic. 5)**

Fine Stitches

Enhanced quality upholstery and fine stitching workmanship. **(Pic. 6)**

Tilting Mechanism

Point synchronized technology with multi-locking mechanism, not only allows separate tilting of backrest and seating in different angles, but more advance with multi angle locker helps user to control over maximum levels of tilting angles depending on preferred working postures, making every seating position a perfect balanced environment. **(Pic. 7)**

Height Adjustable Pneumatic Cylinder

Imported heavy duty pneumatic cylinder designed with safety and durability features, allows for height adjustment of the chair to suit each users physique. **(Pic. 8)**

Polyurethane Moulded Foam

High density polyurethane moulded foam come with fire retardant feature, gives the seat flexibility to conform user seating posture, provides great support and best comfort even for long seating hours. The black finish seat cover below is designed for greater protection to the foam, quality upholstery and user safety. **(Pic. 9)**



Optional Features



1. **NYLON HIGH BASE CODE: NB 20**
5 pedestal high legged black finish nylon base with sturdy 60mm dual-wheel polyurethane castors.
2. **ALUMINIUM HIGH BASE CODE: AB 10**
5 pronged die-cast aluminium polished base with sturdy 60mm dual-wheel polyurethane castors.
3. **ADJUSTABLE ARMREST (Chrome) CODE: D 46**
Adjustable armrest in multi-locking position with chrome finish and top PU pad.
4. **ADJUSTABLE ARMREST (Epoxy) CODE: D 40**
Adjustable armrest in chrome finish allows multi-locking position and pivot top PU pad.
5. **POINT SYNCHRONIZED MECHANISM CODE: MH 002**
Point synchronized technology with multi-locking mechanism.
6. **MULTI FUNCTIONAL SYNCHRONIZED MECHANISM CODE: MH 005**
Multi Functional Synchronized Mechanism with multi tilting lock system and adjustable seat slider.



PG 110L-10D46

Height 1240mm x 1320mm
Width 480mm x 610mm
Depth 480mm - 530mm



PG 111L-10D46

Height 1040mm x 1120mm
Width 480mm x 610mm
Depth 480mm - 530mm



PG 112L-10D46

Height 940mm x 1020mm
Width 480mm x 610mm
Depth 480mm - 530mm



PG 113L-83C

Height 940mm
Width 480mm x 590mm
Depth 480mm



PG 114L-84C

Height 940mm
Width 480mm x 570mm
Depth 480mm



PG 110F-20D40

Height 1240mm x 1320mm
Width 480mm x 610mm
Depth 480mm



PG 111F-20D40

Height 1040mm x 1120mm
Width 480mm x 610mm
Depth 480mm



PG 112F-20D40

Height 940mm x 1020mm
Width 480mm x 610mm
Depth 480mm



PG 113F-83E

Height 940mm
Width 480mm x 590mm
Depth 480mm



PG 114F-84E

Height 940mm
Width 480mm x 570mm
Depth 480mm





Unchallenged Luxury

Tastefully crafted, the Pegaso collection is for those who truly understand what true luxury means. With this in mind, this complete seating solution will gratify any seating connoisseur with its quality and supreme practicality.



Specification



Adjustable Armrest with Polyurethane Armpad

Adjustable armrest with chrome finish, a compactly designed armrest allowing height adjustment to firmly support elbows and eliminate stress for extended hours of work; while the polyurethane armpad is soft and designed to enhance support with best comfort. **(Pic. 1)**

Adjustable armrest with chrome finish, a compactly designed armrest allowing height adjustment to firmly support elbows and eliminate stress for extended hours of work; while the polyurethane armpad is soft and designed with pivot adjustable mechanism allow top slider to rotate in multi-angle to enhance support with best comfort. **(Pic. 2)**

Nylon High Base

5 pedestal high legged black finish nylon base, generates by highly sophisticated ambience to provide strong stability. **(Pic. 3)**

Aluminium Base

5 pronged die-cast aluminium polished base, generates by highly sophisticated ambience to provide strong stability. **(Pic. 4)**

Polyurethane Castors

Sturdy 60mm polyurethane dual-wheel castors are designed for smooth gliding with safety feature, enable user to swivel in any directions in a perfect balanced-environment, and also reduce floor scratches and chair noise while moving. **(Pic. 5)**

Capping Finishing

Strip capping with chrome finish located at the bottom of the chair backrest enhances quality upholstery while adding elegant design to the contours of the backrest. **(Pic. 6)**

Tilting Mechanism

Point synchronized technology with multi-locking mechanism, not only allows separate tilting of backrest and seating in different angles, but more advance with multi angle locker helps user to control over maximum levels of tilting angles depending on preferred working postures, making every seating position a perfect balanced environment. **(Pic. 7)**

Multi Functional Synchronized Mechanism allows separate tilting of backrest and seating in different angles, multi angle locker, more importantly with adjustable seat depth mechanism where seat can be slide in and out to obtain best seating position with maximum comfort. **(Pic. 8 / 9)**

Height Adjustable Pneumatic Cylinder **(Pic. 10)**

Imported heavy duty pneumatic cylinder designed with safety and durability features, allows for height adjustment of the chair to suit each users physique.

Polyurethane Moulded Foam

High density polyurethane moulded foam come with fire retardant feature, gives the seat flexibility to conform user seating posture, provides great support and best comfort even for long seating hours. **(Pic. 11)**



Optional Features



1. **ALUMINIUM BASE CODE: AB 12**
5 pronged die-cast aluminium polished base with nylon castors.
2. **METAL CHROME ARMREST CODE: S 50**
Chrome metal frame armrest with top upholstery armpad.
3. **KNEE TILT SYNCHRONIZED MECHANISM CODE: MH 001**
Swivel Knee Tilt Synchronized Mechanism with multi-locking system.



ZY 360L-12S50

Height 1200mm x 1280mm
Width 500mm x 650mm
Depth 500mm



ZY 361L-12S50

Height 1100mm x 1180mm
Width 500mm x 650mm
Depth 500mm



ZY 362L-12S50

Height 1000mm x 1080mm
Width 480mm x 630mm
Depth 500mm



ZY 363L-82C

Height 1000mm
Width 480mm x 550mm
Depth 500mm





Defining Status Radiating Eminence

Treat yourself to a collection of classic yet sophisticated masterpieces, each one personifying unparalleled quality and designed with luxury in mind. Illustrate your refined taste and let others be mesmerised.

Specification



Chrome Armrest

Chrome metal frame armrest with upholstery armpad is designed for its visual aesthetics, durability and reliability. The top upholstery armpad provides soft texture and cushiony feel for a more comfortable resting of elbows. **(Pic. 1)**

Aluminium Base

5 pronged die-cast aluminium polished base, generates by highly sophisticated ambience to provide strong stability. **(Pic. 2)**

Fine Stitches

Enhanced quality upholstery and fine stitching workmanship. **(Pic.3)**

Tilting Mechanism

Swivel Knee Tilt Synchronized Mechanism with multi tilting lock system and tilt at 30° reclining position, not only allows separate tilting of backrest and seating in different angles, but also with angle locker helps user to control over tilting angles depending on preferred working postures, making every seating position a perfect balanced environment. **(Pic. 4)**

Height Adjustable Pneumatic Cylinder

Imported heavy duty pneumatic cylinder designed with safety and durability features, allows for height adjustment of the chair to suit each users physique. **(Pic. 5)**

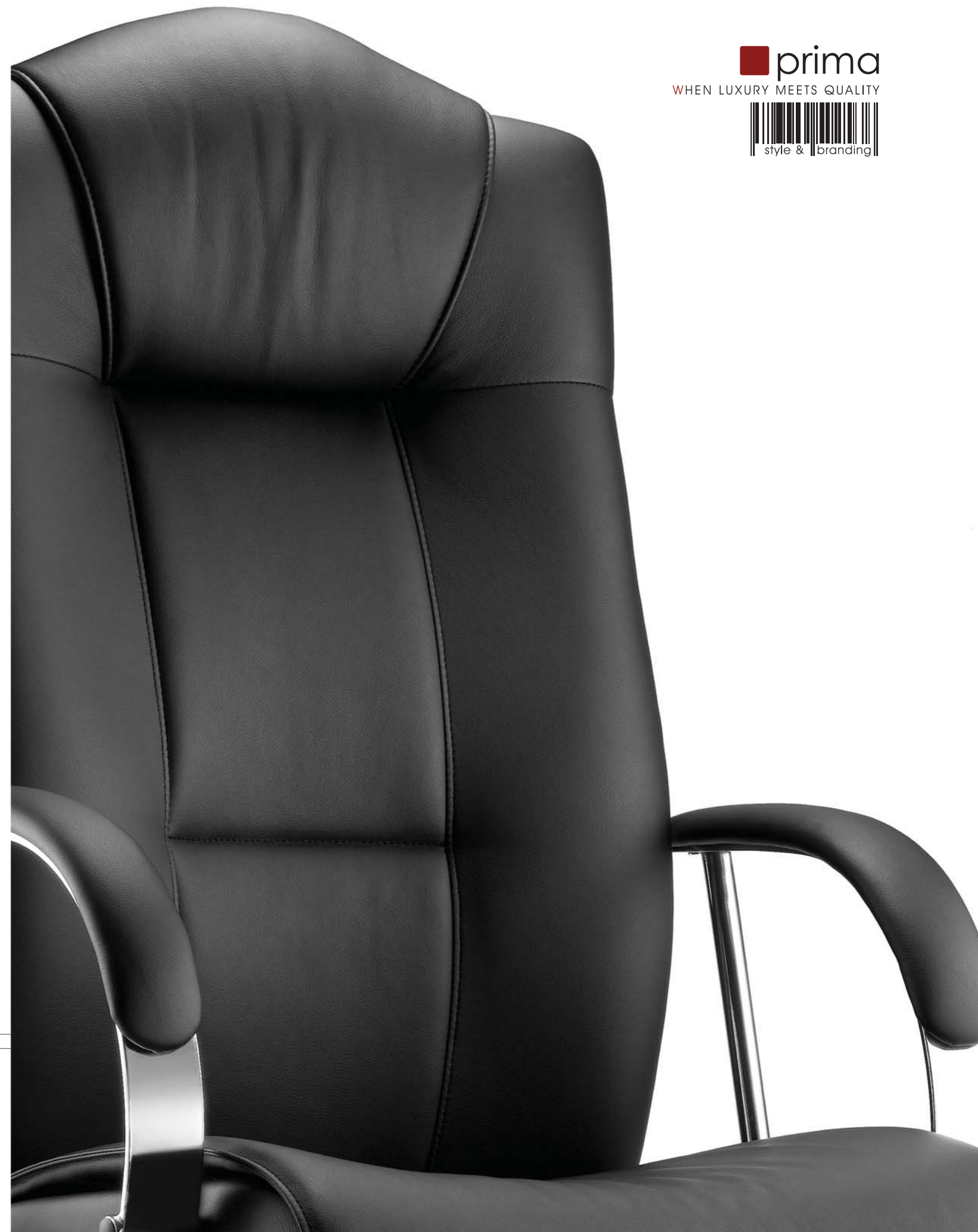
Polyurethane Moulded Foam

High density polyurethane moulded foam come with fire retardant feature, gives the seat flexibility to conform user seating posture, provides great support and best comfort even for long seating hours. **(Pic. 6)**

Optional Features



1. **ALUMINIUM BASE CODE: AB 12**
5 pronged die-cast aluminium polished base with nylon castors.
2. **METAL CHROME ARMREST CODE: S 52**
Chrome metal frame armrest with upholstery top armpad.
3. **KNEE TILT SYNCHRONIZED MECHANISM CODE: MH 001**
Swivel Knee Tilt Synchronized Mechanism with multi-locking system.



PR 120L-12S52

Height 1190mm x 1270mm
Width 500mm x 650mm
Depth 500mm



PR 121L-12S52

1080mm x 1160mm
500mm x 650mm
500mm



PR 122L-12S52

980mm x 1060mm
480mm x 630mm
500mm



PR 123L-82C

930mm
480mm x 550mm
500mm





Cutting-Edge Comfort

Comfort is king. Infused with stylish modernity, you will never see anything quite as desirable as the Prima's all-encompassing package to fulfill your desires.

Specification



Chrome Armrest

Chrome metal frame armrest with upholstery armpad is designed for its visual aesthetics, durability and reliability. The top upholstery armpad provides soft texture and cushiony feel for a more comfortable resting of elbows. **(Pic. 1)**

Aluminium Base

5 pronged die-cast aluminium polished base, generates by highly sophisticated ambience to provide strong stability. **(Pic. 2)**

Fine Stitches

Enhanced quality upholstery and fine stitching workmanship. **(Pic. 3)**

Tilting Mechanism

Swivel Knee Tilt Synchronized Mechanism with multi tilting lock system and tilt at 30° reclining position, not only allows separate tilting of backrest and seating in different angles, but also with angle locker helps user to control over tilting angles depending on preferred working postures, making every seating position a perfect balanced environment. **(Pic. 4)**

Height Adjustable Pneumatic Cylinder

Imported heavy duty pneumatic cylinder designed with safety and durability features, allows for height adjustment of the chair to suit each users physique. **(Pic. 5)**

Polyurethane Moulded Foam

High density polyurethane moulded foam come with fire retardant feature, gives the seat flexibility to conform user seating posture, provides great support and best comfort even for long seating hours. **(Pic. 6)**

Optional Features



1. **POLYPROPYLENE BASE CODE: PB 30**
5 pronged polypropylene base with dual-wheels nylon castors.
2. **ALUMINIUM BASE CODE: AB 12**
5 pronged die-cast aluminium polished base with nylon castors.
3. **L' ARMREST CODE: A 78**
Design matched moulded polypropylene fixed armrest in black finish.
4. **POLISHED ALUMINIUM ARMREST CODE: S 58**
Polished aluminium armrest with top upholstery armpad.
5. **METAL SPRING MECHANISM CODE: MH 100**
Swivel dual tilt mechanism with one locking system .
6. **KNEE TILT MECHANISM CODE: MH 108**
Swivel Knee Tilt Mechanism with multi-locking system.



SD 180L-12S58

Height 1150mm x 1230mm
Width 530mm x 620mm
Depth 480mm



SD 181L-12S58

Height 1050mm x 1130mm
Width 530mm x 620mm
Depth 480mm



SD 182L-12S58

Height 950mm x 1030mm
Width 530mm x 620mm
Depth 480mm



SD 183L-90CS58

Height 940mm
Width 530mm x 620mm
Depth 480mm



SD 180F-30A78

Height 1130mm x 1230mm
Width 530mm x 630mm
Depth 480mm



SD 181F-30A78

Height 1030mm x 1130mm
Width 530mm x 630mm
Depth 480mm



SD 182F-30A78

Height 930mm x 1030mm
Width 530mm x 630mm
Depth 480mm



SD 183F-90EA78

Height 940mm
Width 530mm x 630mm
Depth 480mm



Slim Comfort

A slim line executive chair range that provides exceptional comfort, craftsmanship and style for every office environment.



Specification



Fixed Armrest

L-shape design matched moulded polypropylene armrest in black finish. **(Pic. 1)**

Polished Aluminium Armrest

Polished aluminium armrest with upholstery armpad is designed for its visual aesthetics, durability and reliability. The top upholstery armpad provides soft texture and cushiony feel for a more comfortable resting of elbows. **(Pic. 2)**

Aluminium Base

5 pronged die-cast aluminium polished base, generates by highly sophisticated ambience to provide strong stability. **(Pic. 3)**

Fine Stitches

Enhanced quality upholstery and fine stitching workmanship. **(Pic.4)**

Tilting Mechanism

Swivel metal spring mechanism with one locking system at the seat right posture and tilt at 25° reclining position, allows tilting of backrest and seating at the same angle, to ease user movement. **(Pic.5)**

Swivel knee tilt mechanism with multi tilting lock system and tilt at 30° reclining position, allows tilting of backrest and seating in same angle, also allows angle locker to help user to control over tilting angles for desired working postures. **(Pic.6)**

Height Adjustable Pneumatic Cylinder

Imported heavy duty pneumatic cylinder designed with safety and durability features, allows for height adjustment of the chair to suit each users physique. **(Pic. 7)**

Sponge

High density polyurethane sponge, provides soft and cushiony seating feeling. **(Pic.8)**

Optional Features



- POLYPROPYLENE BASE CODE: PB 30**
5 pronged polypropylene base with dual-wheels nylon castors.
- ALUMINIUM HIGH BASE CODE: AB 12**
5 pronged die-cast aluminium polished base with sturdy 60mm dual-wheel polyurethane castors.
- L' ARMREST CODE: A 70**
Design matched moulded polypropylene fixed armrest in black finish.
- POLISHED ALUMINIUM ARMREST CODE: D 58**
Polished aluminium armrest with top upholstery armpad.
- METAL SPRING MECHANISM CODE: MH 100**
Swivel dual tilt mechanism with one locking system .
- KNEE TILT MECHANISM CODE: MH 001**
Swivel Knee Tilt Mechanism with multi-locking system.



KL 190L-12S58

Height 1170mm x 1250mm
Width 510mm x 620mm
Depth 500mm



KL 191L-12S58

Height 1170mm x 1150mm
Width 510mm x 620mm
Depth 500mm



KL 192L-12S58

Height 970mm x 1050mm
Width 510mm x 620mm
Depth 500mm



KL 193L-90C

Height 960mm
Width 510mm x 620mm
Depth 500mm



KL 190F-30A70

Height 1170mm x 1250mm
Width 510mm x 620mm
Depth 500mm



KL 191F-30A70

Height 1170mm x 1150mm
Width 510mm x 620mm
Depth 500mm



KL 192F-30A70

Height 970mm x 1050mm
Width 510mm x 620mm
Depth 500mm



KL 193F-90E

Height 960mm
Width 510mm x 620mm
Depth 500mm



Built For Every Body

No more twisting and bending. With our range of smart and ergonomic seating solutions, you will find the perfect fit for every curve and the perfect style to suit your standards. Make it personal. You decide what works for you.



Specification



Fixed Armrest

L-shape design matched moulded polypropylene armrest in black finish. **(Pic. 1)**

Polished Aluminium Armrest

Polished aluminium armrest with upholstery armpad is designed for its visual aesthetics, durability and reliability. The top upholstery armpad provides soft texture and cushiony feel for a more comfortable resting of elbows. **(Pic. 2)**

Aluminium Base

5 pronged die-cast aluminium polished base, generates by highly sophisticated ambience to provide strong stability. **(Pic. 3)**

Fine Stitches

Enhanced quality upholstery and fine stitching workmanship. **(Pic.4)**

Tilting Mechanism

Swivel metal synchronized mechanism with one locking system at the seat right posture and tilt at 25° reclining position, allows separate tilting of backrest and seating in different angles, ease user movement for different postures. **(Pic. 5)**

Swivel Knee Tilt Synchronized Mechanism with multi tilting lock system and tilt at 30° reclining position, not only allows separate tilting of backrest and seating in different angles, but also with angle locker helps user to control over tilting angles depending on preferred working postures, making every seating position a perfect balanced environment. **(Pic. 6)**

Height Adjustable Pneumatic Cylinder

Imported heavy duty pneumatic cylinder designed with safety and durability features, allows for height adjustment of the chair to suit each users physique. **(Pic. 7)**

Sponge

High density polyurethane sponge, provides soft and cushiony seating feeling.

Optional Features



1. **POLYPROPYLENE BASE CODE: PB 30**
5 pronged polypropylene base with dual-wheels nylon castors.
2. **ALUMINIUM HIGH BASE CODE: AB 12**
5 pronged die-cast aluminium polished base with sturdy 60mm dual-wheel polyurethane castors.
3. **L' ARMREST CODE: A 70**
Design matched moulded polypropylene fixed armrest in black finish.
4. **POLISHED ALUMINIUM ARMREST CODE: S 58**
Polished aluminium armrest with top upholstery armpad.
5. **METAL SPRING MECHANISM CODE: MH 100**
Swivel dual tilt mechanism with one locking system .
6. **KNEE TILT MECHANISM CODE: MH 108**
Swivel Knee Tilt Mechanism with multi-locking system.



KL 190L-12S58

Height 1170mm x 1250mm
Width 510mm x 620mm
Depth 500mm



KL 191L-12S58

Height 1170mm x 1150mm
Width 510mm x 620mm
Depth 500mm



KL 192L-12S58

Height 970mm x 1050mm
Width 510mm x 620mm
Depth 500mm



KL 193L-90C

Height 960mm
Width 510mm x 620mm
Depth 500mm



KL 190F-30A702

Height 1170mm x 1250mm
Width 510mm x 620mm
Depth 500mm



KL 191F-30A70

Height 1170mm x 1150mm
Width 510mm x 620mm
Depth 500mm



KL 192F-30A70

Height 970mm x 1050mm
Width 510mm x 620mm
Depth 500mm



KL 193F-90E

Height 960mm
Width 510mm x 620mm
Depth 500mm

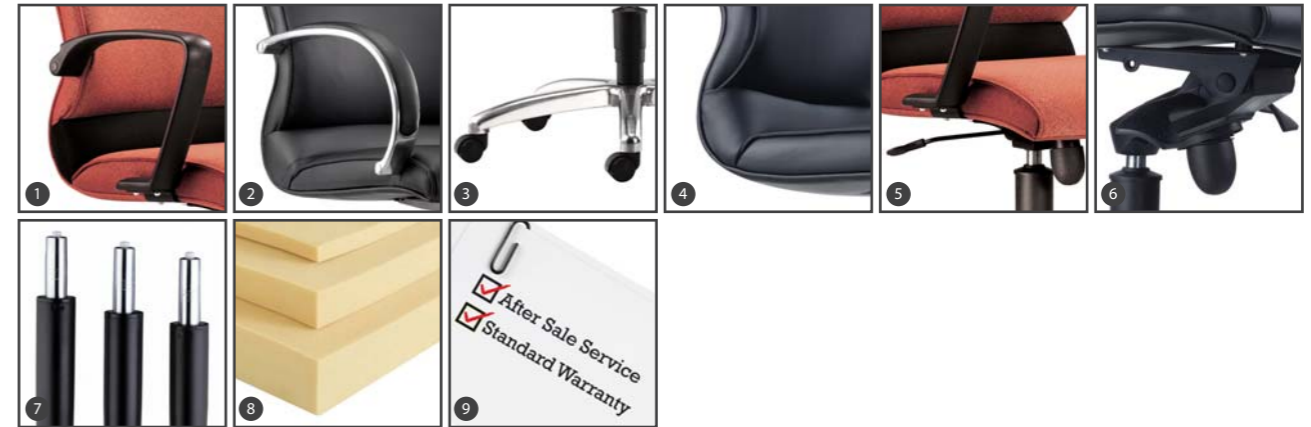


Built For Every Body

No more twisting and bending. With our range of smart and ergonomic seating solutions, you will find the perfect fit for every curve and the perfect style to suit your standards. Make it personal. You decide what works for you.



Specification



Fixed Armrest

L-shape design matched moulded polypropylene armrest in black finish. **(Pic. 1)**

Polished Aluminium Armrest

Polished aluminium armrest with upholstery armpad is designed for its visual aesthetics, durability and reliability. The top upholstery armpad provides soft texture and cushiony feel for a more comfortable resting of elbows. **(Pic. 2)**

Aluminium Base

5 pronged die-cast aluminium polished base, generates by highly sophisticated ambience to provide strong stability. **(Pic. 3)**

Fine Stitches

Enhanced quality upholstery and fine stitching workmanship. **(Pic.4)**

Tilting Mechanism

Swivel metal spring mechanism with one locking system at the seat right posture and tilt at 25° reclining position, allows tilting of backrest and seating at the same angle, to ease user movement. **(Pic.5)**

Swivel knee tilt mechanism with multi tilting lock system and tilt at 30° reclining position, allows tilting of backrest and seating in same angle, also allows angle locker to help user to control over tilting angles for desired working postures. **(Pic.6)**

Height Adjustable Pneumatic Cylinder

Imported heavy duty pneumatic cylinder designed with safety and durability features, allows for height adjustment of the chair to suit each users physique. **(Pic. 7)**

Sponge

High density polyurethane sponge, provides soft and cushiony seating feeling.

 kimberly

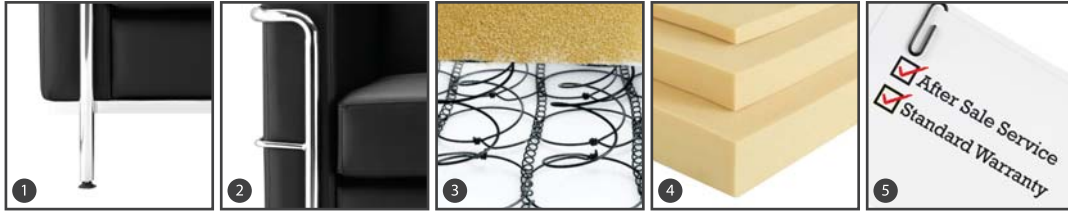
SENSUALLY SLEEK



style & branding



Specification



Sofa Legs

Metal chrome base come with adjustable stud, beautifully joint for its elegant. **(Pic.1)**

Fine Stitches

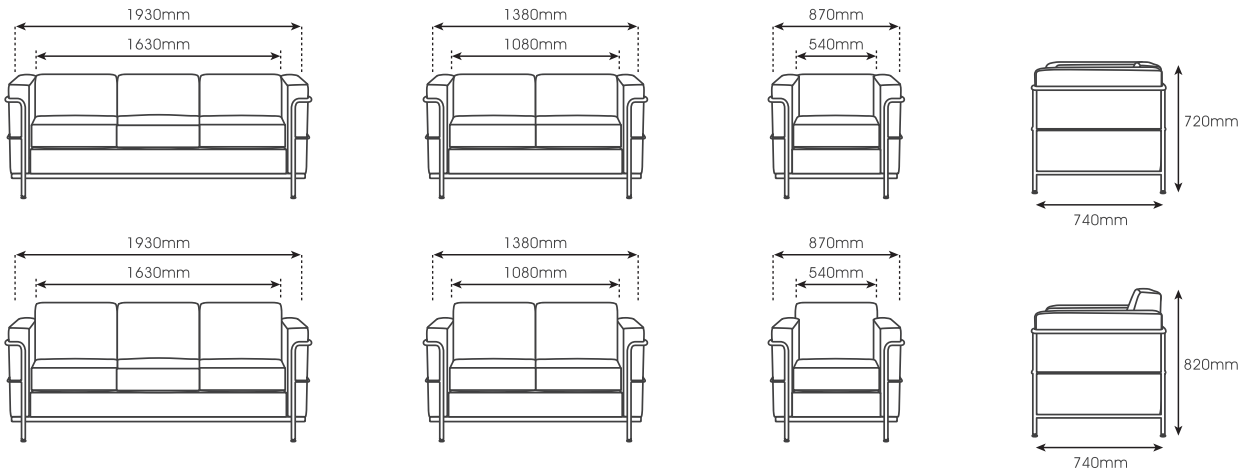
Enhanced quality upholstery and fine stitching workmanship. **(Pic.2)**

Pocket Spring

High density polyurethane foam come with pocket spring, to ensure a long lasting shape of the sofa, and provide resilience for greater support and best seating comfort even for long seating hours. **(Pic.3)**

Sponge

High density polyurethane sponge, provides soft and cushiony seating feeling. **(Pic.4)**



KB015-3



KB015-2



KB015-1



KB015H-3



KB015H-2



KB015H-1



 **camelia**

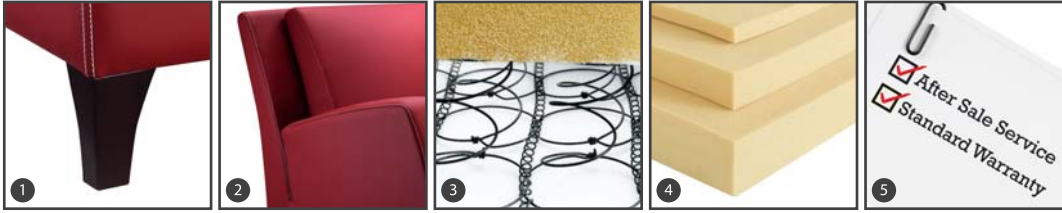
SENSUALLY SLEEK



style & branding



Specification



Sofa Legs

Varnished wooden base, skilfully crafted with finest hardwood for strength and durability. **(Pic.1)**

Fine Stitches

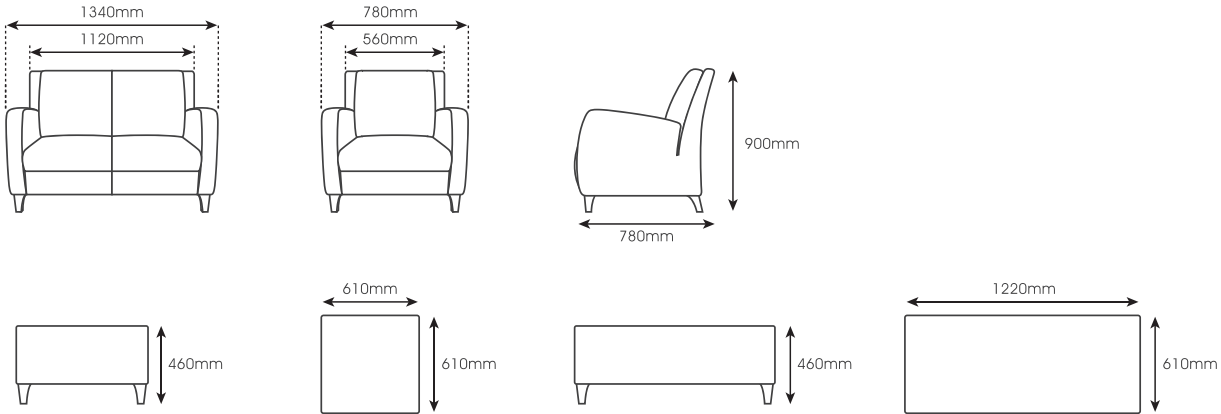
Enhanced quality upholstery and fine stitching workmanship. **(Pic.2)**

Pocket Spring

High density polyurethane foam come with pocket spring, to ensure a long lasting shape of the sofa, and provide resilience for greater support and best seating comfort even for long seating hours. **(Pic.3)**

Sponge

High density polyurethane sponge, provides soft and cushiony seating feeling. **(Pic.4)**



CM021-2



CM021-1



CM021-MT

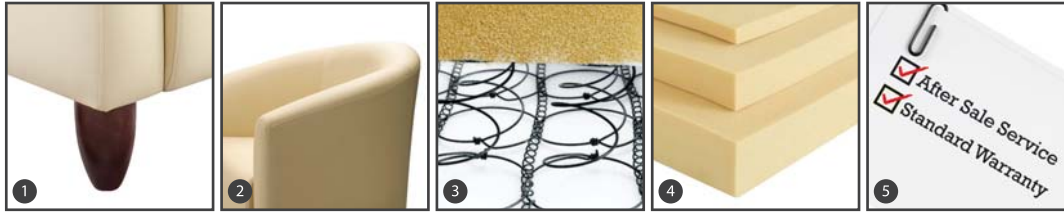


CM021-ST





Specification



Sofa Legs

Varnished wooden base, skilfully crafted with finest hardwood for strength and durability. **(Pic.1)**

Fine Stitches

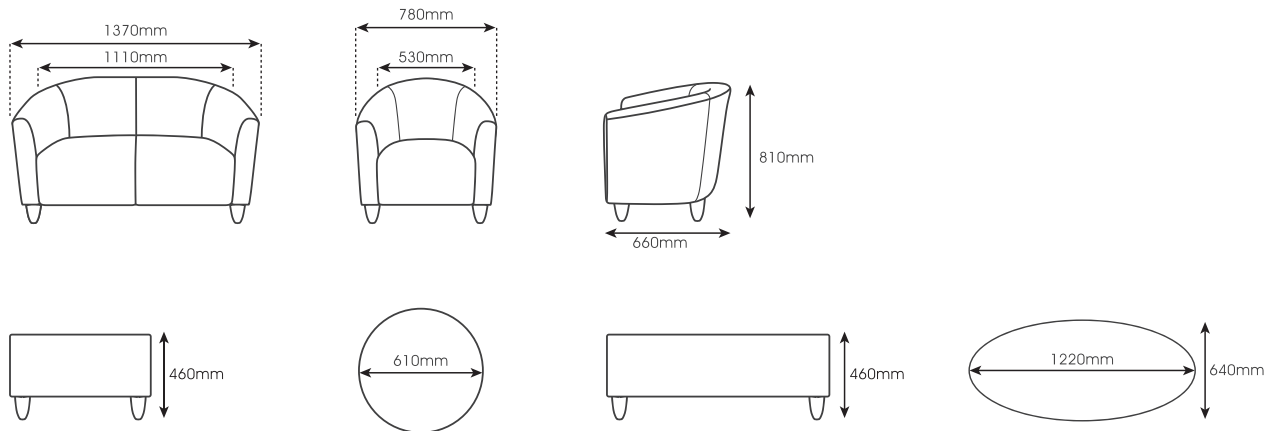
Enhanced quality upholstery and fine stitching workmanship. **(Pic.2)**

Pocket Spring

High density polyurethane foam come with pocket spring, to ensure a long lasting shape of the sofa, and provide resilience for greater support and best seating comfort even for long seating hours. **(Pic.3)**

Sponge

High density polyurethane sponge, provides soft and cushiony seating feeling. **(Pic.4)**



CC022-2



CC022-1



CC022-MT



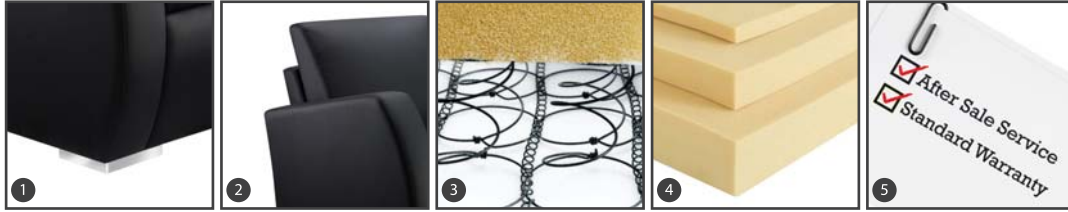
CC022-ST

zita

SENSUALLY SLEEK



Specification



Sofa Legs

Stylish stainless steel base, sturdier and more elegant. **(Pic.1)**

Fine Stitches

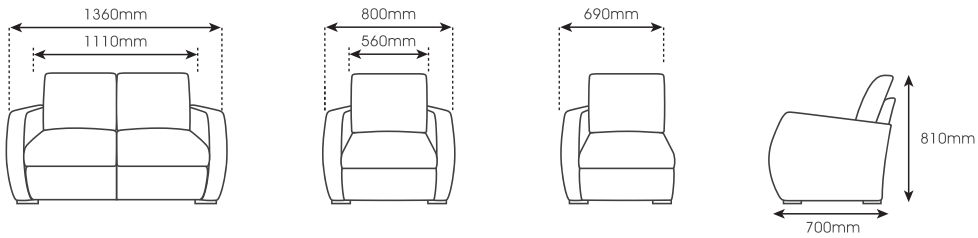
Enhanced quality upholstery and fine stitching workmanship. **(Pic.2)**

Pocket Spring

High density polyurethane foam come with pocket spring, to ensure a long lasting shape of the sofa, and provide resilience for greater support and best seating comfort even for long seating hours. **(Pic.3)**

Sponge

High density polyurethane sponge, provides soft and cushiony seating feeling. **(Pic.4)**



ZT023-2A



ZT023-1A



ZT023-1A



ZT023-1R



ZT023-1L



ZT023-1



lino

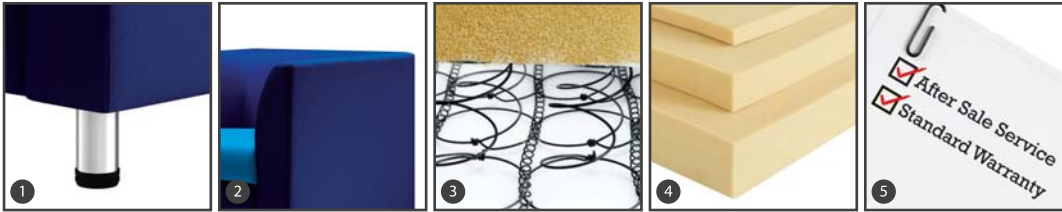
SENSUALLY SLEEK



style & branding



Specification



Sofa Legs

Stainless steel base with adjustable stud, sturdier with exclusive look. **(Pic.1)**

Fine Stitches

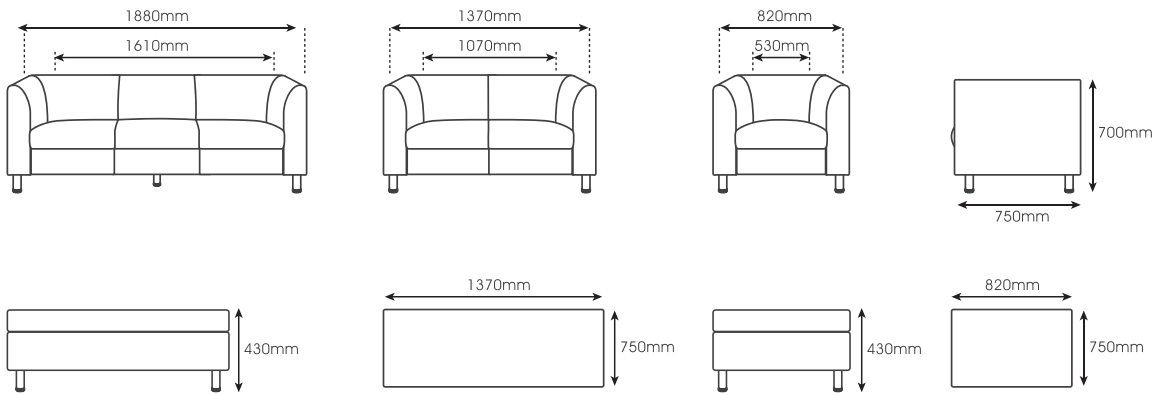
Enhanced quality upholstery and fine stitching workmanship. **(Pic.2)**

Pocket Spring

High density polyurethane foam come with pocket spring, to ensure a long lasting shape of the sofa, and provide resilience for greater support and best seating comfort even for long seating hours. **(Pic.3)**

Sponge

High density polyurethane sponge, provides soft and cushiony seating feeling. **(Pic.4)**



LN025-3



LN025-2



LN025-1



LN025-MT



LN025-ST





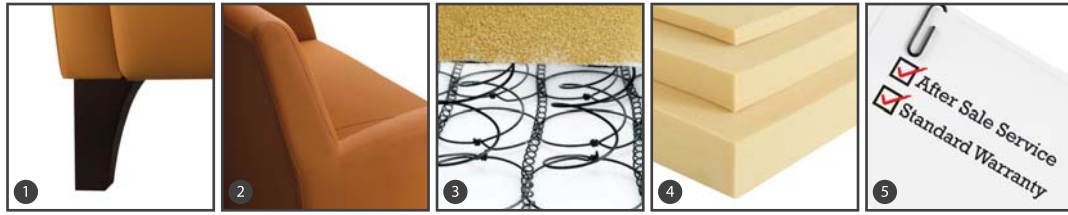
 bardi

SENSUALLY SLEEK



style & branding

Specification



Sofa Legs

Varnished wooden base, skilfully crafted with finest hardwood for strength and durability. (Pic.1)

Fine Stitches

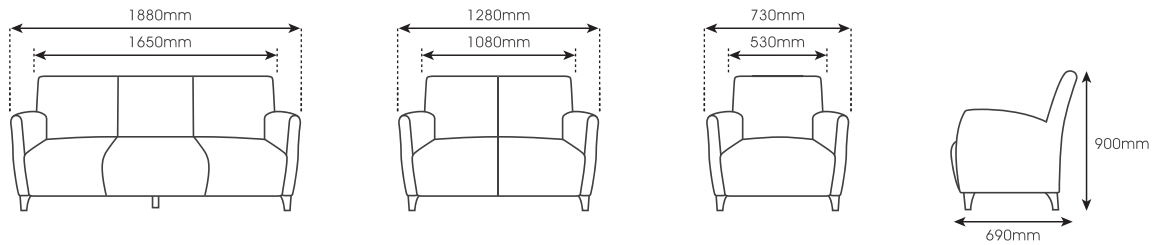
Enhanced quality upholstery and fine stitching workmanship. (Pic.2)

Pocket Spring

High density polyurethane foam come with pocket spring, to ensure a long lasting shape of the sofa, and provide resilience for greater support and best seating comfort even for long seating hours. (Pic.3)

Sponge

High density polyurethane sponge, provides soft and cushiony seating feeling. (Pic.4)



BD026-3



BD026-2

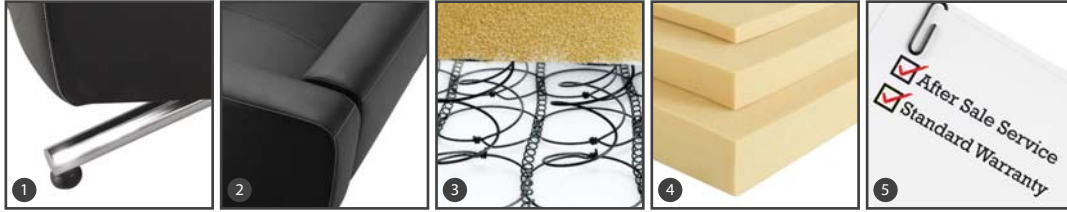


BD026-1





Specification



Sofa Legs

Metal chrome base come with adjustable stud, beautifully joint for its elegant. **(Pic.1)**

Fine Stitches

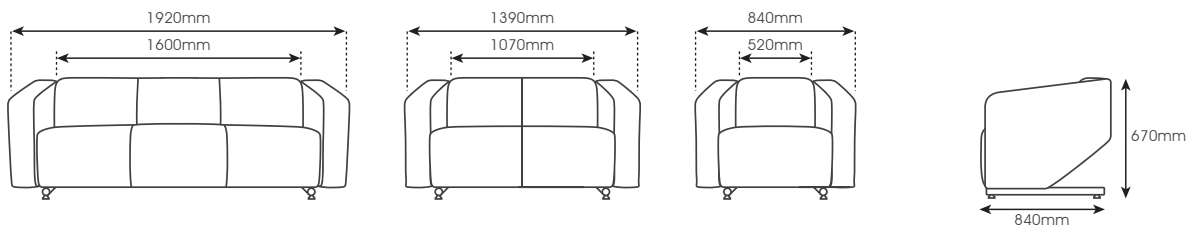
Enhanced quality upholstery and fine stitching workmanship. **(Pic.2)**

Pocket Spring

High density polyurethane foam come with pocket spring, to ensure a long lasting shape of the sofa, and provide resilience for greater support and best seating comfort even for long seating hours. **(Pic.3)**

Sponge

High density polyurethane sponge, provides soft and cushiony seating feeling. **(Pic.4)**



AP033-3



AP033-2



AP033-1





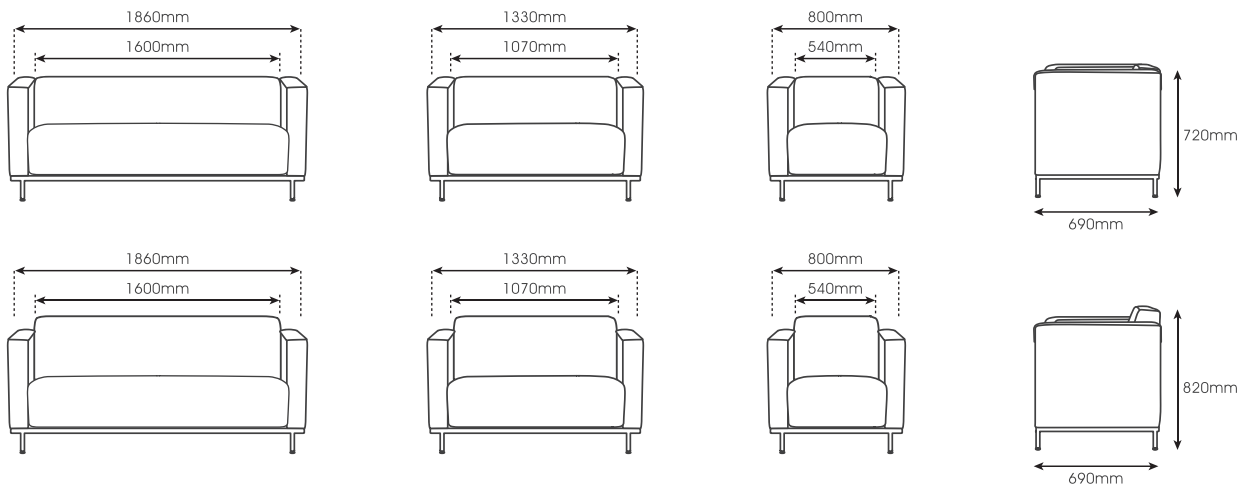
Specification



Sofa Legs
Metal chrome base come with adjustable stud, beautifully joint for its elegant. **(Pic.1)**

Fine Stitches
Enhanced quality upholstery and fine stitching workmanship. **(Pic.2)**

Sponge
High density polyurethane sponge, provides soft and cushiony seating feeling. **(Pic.3)**



MD035-3



MD035-2



MD035-1



MD035H-3



MD035H-2



MD035H-1



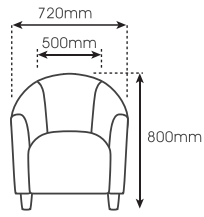
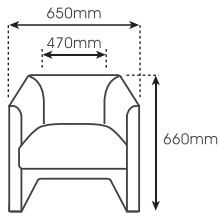
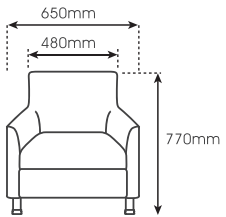
■ flow lounge

SENSUALLY SLEEK



Stylishly Modern, Distinctly Classy

A luxurious collection for the discerning taste bud. Indulge in a pastiche of contemporary elegance and comfort, perfect for those who insist for the utmost in quality and design.



FL041



FL042



FL043



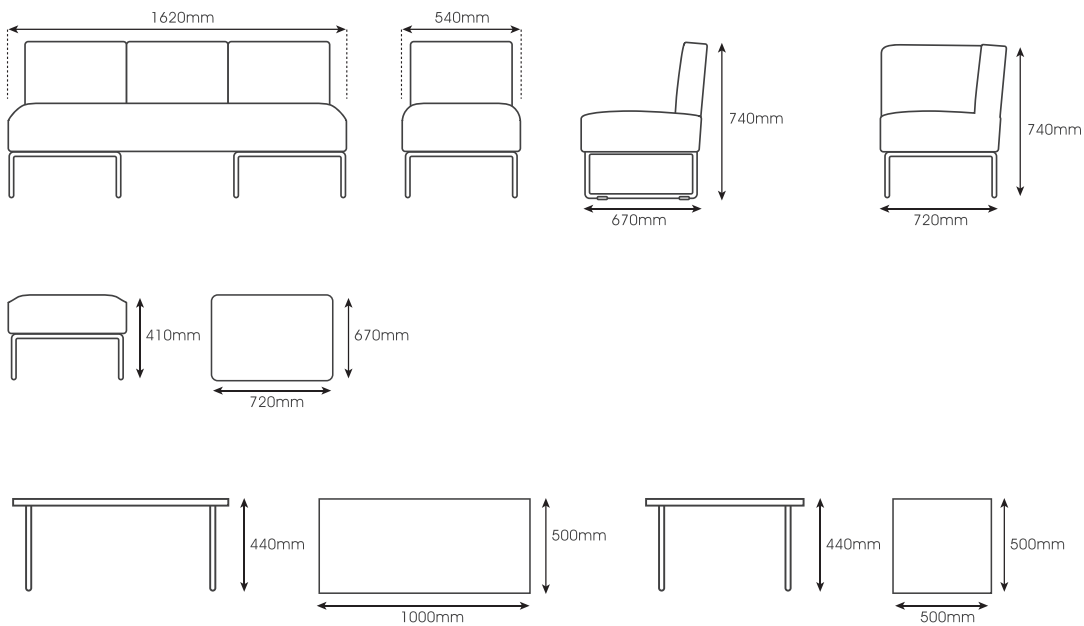
range

SENSUALLY SLEEK



style & branding





RG051-3



RG051-1



RG051-1L



RG051-1R



RG051-1FS



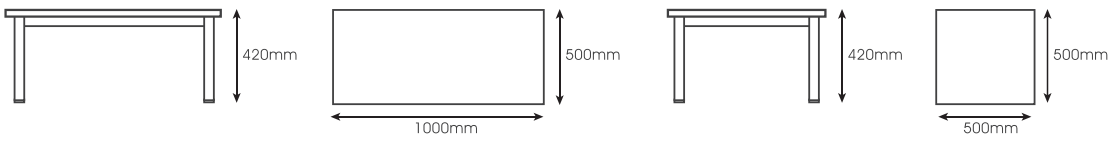
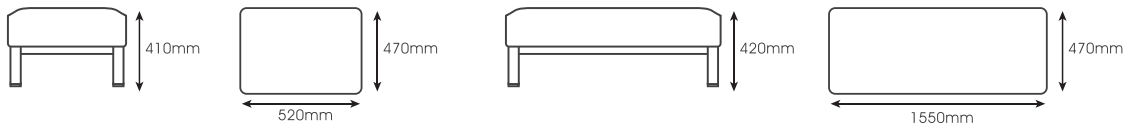
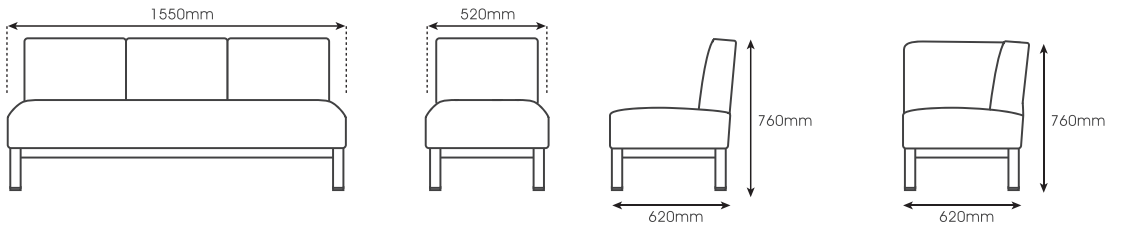
RG051-MT



RG051-ST







RT052-3



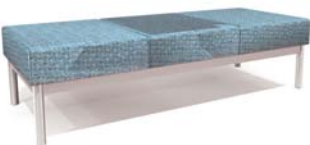
RT052-1



RT052-1R



RT052-1RL



RT052-3FS



RT052-1FS



RT052-MT



RT052-ST



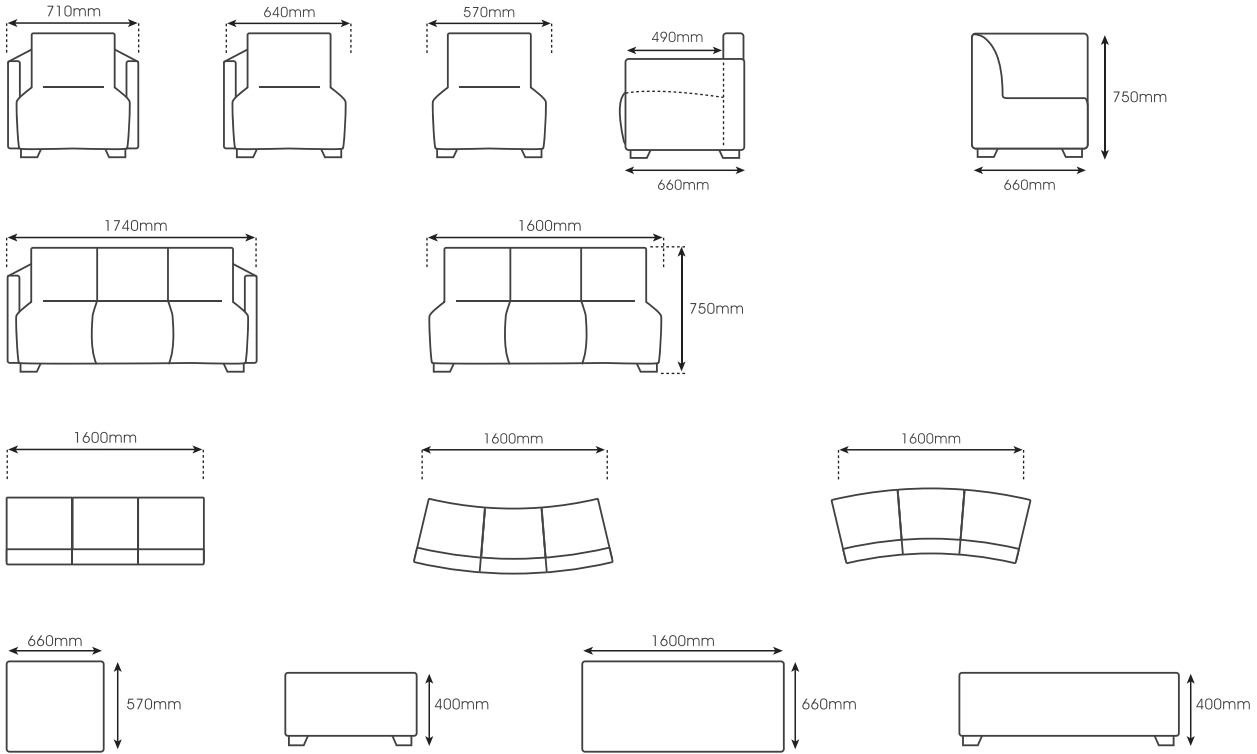
 centrum

SENSUALLY SLEEK



style & branding





CT053-1A



CT053-1R



CT053-1L



CT053-1



CT053-1C



CT053-3A



CT053-3



CT053-3CV



CT053-3CX



CT053-3FS



CT053-1FS

